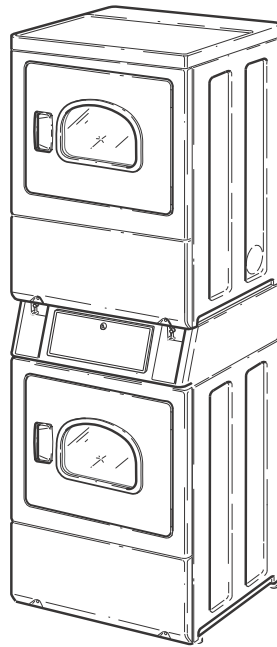


# Commercial Dryers

Metered and Nonmetered  
Refer to Page 3 for Model Numbers



DRY727C\_515207



# Table of Contents

Title	Page
Parts Ordering Information.....	2
Serial Plate Location .....	2
Model Identification .....	3
Control Panel and Controls - Coin Drop and Card Models .....	4
Control Cabinet Controls - Coin Drop Models.....	6
Control Cabinet Controls - Card Ready Models.....	8
Loading Door without Window .....	10
Loading Door with Window .....	12
Access Panel, Front Panel and Seal .....	14
Motor, Exhaust Fan and Belt .....	16
Front Bulkhead, Air Duct, Felt Seal and Cylinder .....	18
Rear Bulkhead, Felt Seal, Cylinder Roller and Terminal Block.....	20
Heater Duct and Element Assembly - Electric Model Dryers.....	22
Heater Duct Assembly - Gas Model Dryers .....	24
Gas Valve, Igniter and Gas Conversion Kits.....	26
Cabinet, Exhaust Duct and Base .....	28
Cabinet Top .....	30
Power Cord.....	32
Terminal Block and Terminals .....	34
Terminals .....	36
Terminals and Terminal Extractor Tools .....	38
Wires and Wire Harnesses - Gas Models.....	40
Wires and Wire Harnesses - Electric Models.....	42
Label Location on Rear of Cabinet .....	44
Parts Index.....	47

© Copyright 2016, Alliance Laundry Systems LLC

All rights reserved. No part of the contents of this book may be reproduced or transmitted in any form or by any means without the expressed written consent of the publisher.

## Parts Ordering Information

If literature or replacement parts are required, contact the source from whom the machine was purchased or contact Alliance Laundry Systems at (920) 748-3950 for the name and address of the nearest authorized parts distributor.

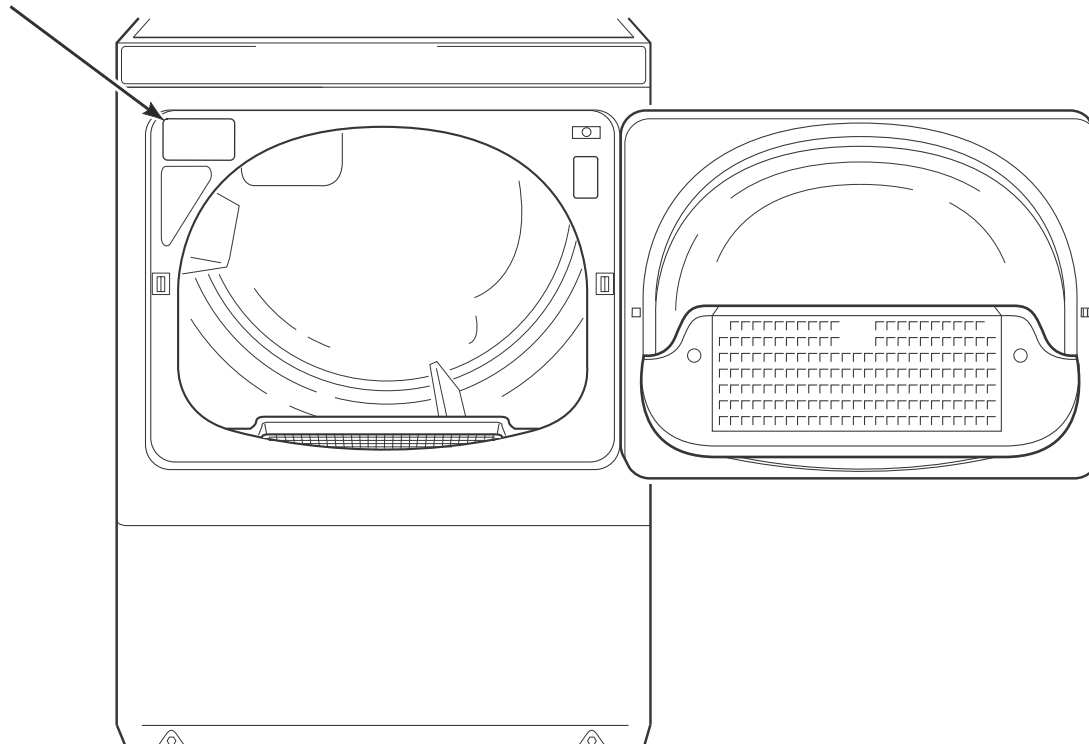
For technical assistance, call the number listed below:

(920) 748-3121 Ripon, Wisconsin

## Serial Plate Location

When calling or writing about your product, be sure to mention model and serial numbers. Model and serial numbers are located on serial plate(s) as shown.

Serial Plate



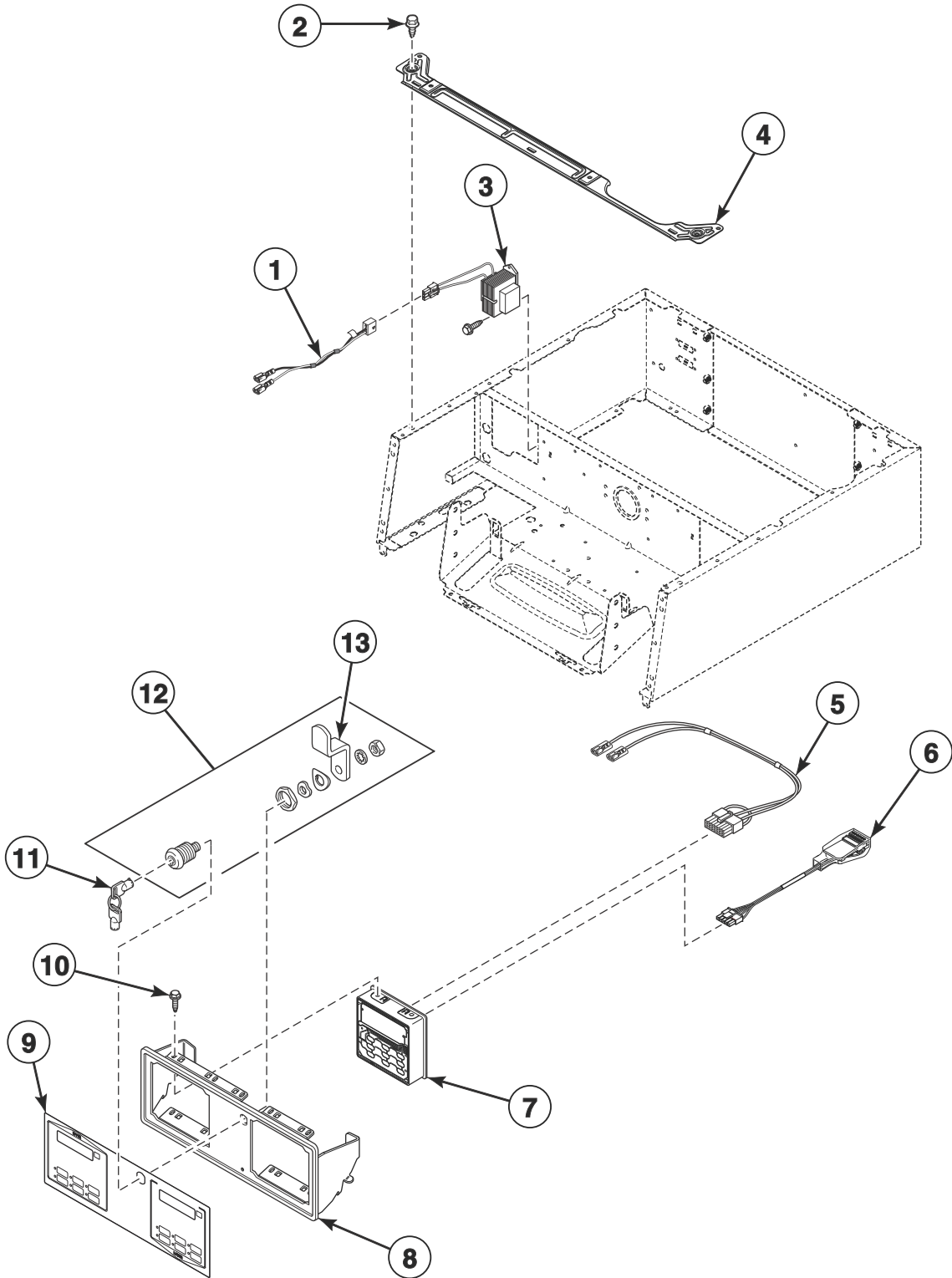
DRY2283P\_515207

## Model Identification

Information in this manual is applicable to these dryer models:

PSEJXAGS174TG01	SSGNCAGS113TN01
PSGJXAGS114TG01	SSGNCAGS113TW01
SSENCAGS153TW01	SSGNCAGW113TW01
SSENCAGS173TN01	SSGNCFGW113TW01
SSENCAGS173TW01	SSGNXAGW113TW01
SSENCAGW153TW01	SSGNYAGS113TN01
SSENCAGW173TW01	SSGNYAGS113TW01
SSENCFGW153TW01	SSGNYAGW113TW01
SSENCFGW173TW01	SSGNYFGW113TW01
SSENXAGW173TW01	SSGWYAGS113TW01
SSENYAGS153TW01	SSGWYAGW113TW01
SSENYAGS173TN01	
SSENYAGS173TW01	
SSENYAGW173TW01	
SSENYFGW173TW01	
SSEWYAGS153TW01	
SSEWYAGS173TW01	
SSEWYAGW173TW01	

# Control Panel and Controls - Coin Drop and Card Models



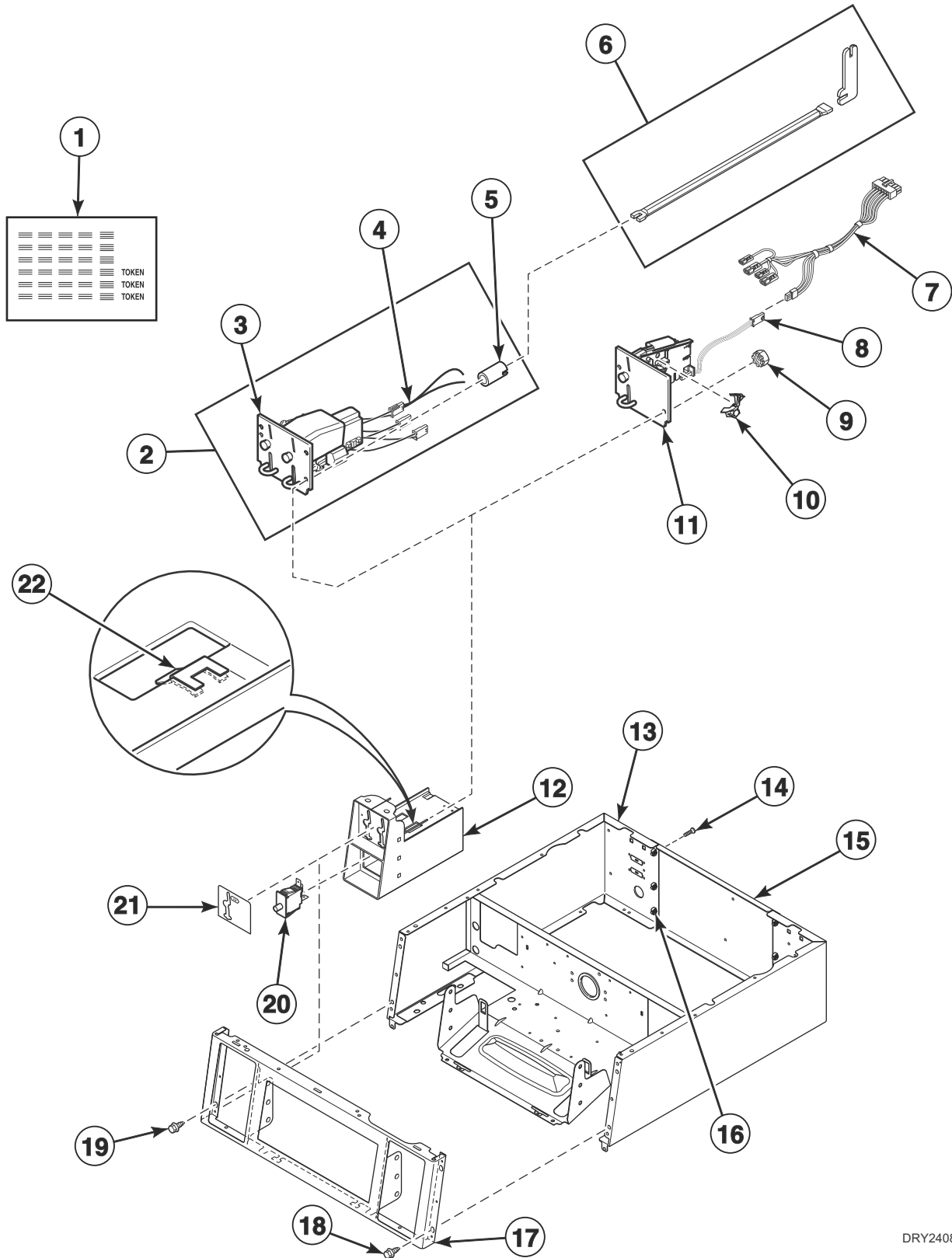
DRY2407P\_515207

## Control Panel and Controls - Coin Drop and Card Models

REF	PART NO.	DESCRIPTION	COMMENTS
	203328	Network Retrofit Kit	Wired
	203327	Wireless Network Kit	
	203346	USB IR Interface Kit	
	NK220	Network Controller Kit	Wired
	NK320	Ethernet Gateway Kit	Wireless
	NK330	USB Gateway Kit	Wireless
1	514072	Transformer Harness	Models PSEJXAGS174TG01, SSENXAGW173TW01, SSENYAGS153TW01, SSENYAGS173TW01, SSENYAGW173TW01, SSEWYAGS153TW01, SSEWYAGS173TW01 and SSEWYAGW173TW01
	804795	Transformer Harness	Models PSGJXAGS114TG01, SSGNXAGW113TW01, SSGNYAGS113TW01, SSGNYAGW113TW01, SSGWYAGS113TW01 and SSGWYAGW113TW01
2	503688	Screw	
3	202757	Transformer	Models PSEJXAGS174TG01, PSGJXAGS114TG01, SSENXAGW173TW01, SSENYAGS153TW01, SSENYAGS173TW01, SSENYAGW173TW01, SSEWYAGS153TW01, SSEWYAGS173TW01, SSEWYAGW173TW01, SSGNXAGW113TW01, SSGNYAGS113TW01, SSGNYAGW113TW01, SSGWYAGS113TW01 and SSGWYAGW113TW01
4	804018	Shield Bracket	
5	202868	Wiring Harness Assembly	Models PSEJXAGS174TG01, PSGJXAGS114TG01, SSENYAGS153TW01, SSENYAGS173TW01, SSENYAGW173TW01, SSEWYAGS153TW01, SSEWYAGS173TW01, SSEWYAGW173TW01, SSGNYAGS113TW01, SSGNYAGW113TW01, SSGWYAGS113TW01 and SSGWYAGW113TW01
6	203361P	Machine ID Control Assembly	Model or serial number is required when ordering
7	203327	Wireless Network Kit	Models SSEWYAGS153TW01, SSEWYAGS173TW01, SSEWYAGW173TW01, SSGWYAGS113TW01 and SSGWYAGW113TW01
	515442P	Control Assembly	Models PSEJXAGS174TG01 and PSGJXAGS114TG01
	514138P	Control Assembly	All other models
8	513778W	Control Panel and Bracket Assembly	White
	513778DG	Control Panel and Bracket Assembly	Dark gray
9	515653	Control Overlay	Models PSEJXAGS174TG01 and PSGJXAGS114TG01
	514366	Control Overlay	All other models
10	501524	Screw	
11	54612	Key	800
12	27260P	Lock Kit	Includes item 13
13	27261	Lock Cam	Models SSENCFGW153TW01, SSENCFGW173TW01, SSENYFGW173TW01, SSGNCFGW113TW01 and SSGNYFGW113TW01
	804338	Lock Cam	All other models

# Control Cabinet Controls - Coin Drop Models

Models PSEJXAGS174TG01, PSGJXAGS114TG01, SSENCAGS153TW01, SSENCAGS173TN01, SSENCAGS173TW01, SSENCAGW153TW01, SSENCAGW173TW01, SSENCFGW153TW01, SSENCFGW173TW01, SSENXAGW173TW01, SSGNCAGS113TN01, SSGNCAGS113TW01, SSGNCAGW113TW01, SSGNCFGW113TW01 and SSGNXAGW113TW01



DRY2408P\_515207

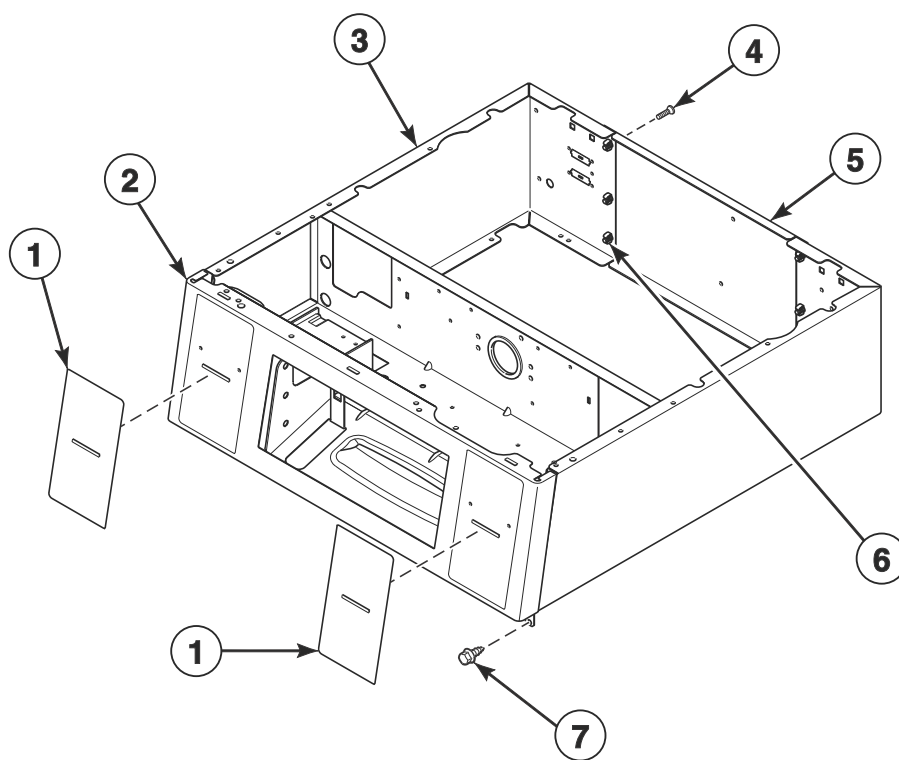


## Control Cabinet Controls - Coin Drop Models

REF	PART NO.	DESCRIPTION	COMMENTS
	44087201	Nut	2 required; Use with item 19
1	38725	Coin Identification Paper	For use with items 2 and 3
2	CK095	Electronic Coin Drop Kit	Includes items 3-5; United States, Canada, Japan and Taiwan coins
3	CK115	Electronic Coin Drop Kit	For use with item 2; United States and Canada coins
4	201104	Coin Drop Wire Harness	For use with items 2 and 3
5	201216	Nut	For use with items 2 and 3
6	CK096	Mounting Tool Kit	For use with items 2 and 3
7	202870	Single Coin Harness Assembly	Models SSENCAGS153TW01, SSENCAGS173TN01, SSENCAGS173TW01, SSENCAGW153TW01, SSENCAGW173TW01, SSENCFGW153TW01, SSENCFGW173TW01, SSGNCAGS113TN01, SSGNCAGS113TW01, SSGNCAGW113TW01 and SSGNCFGW113TW01
	202871	Dual Coin Harness Assembly	Models PSEJXAGS174TG01, PSGJXAGS114TG01, SSENXAGW173TW01 and SSGNXAGW113TW01
8	200674P	Opto Coupler	
9	29786	Nut	
10	201595P	Wire Guard	Anti-stringing security device
11	38462P	Coin Drop Assembly	Token; 118-1 mzp
	38463	Coin Drop Assembly	Token; 118-5 mzp
	70441601P	Coin Drop	USA; \$0.25
	38963P	Coin Drop	Token 118-16 not available; Replacement for 38963P Coin Drop only
12	804009W	Meter Case Assembly	Requires high capacity coin vault; White
	804009DG	Meter Case Assembly	Dark gray
13	804104W	Wrapper Assembly	White
	505753WP	Wrapper and Channel Assembly	White; Models SSENCFGW153TW01, SSENCFGW173TW01 and SSGNCFGW113TW01
	804104DG	Wrapper Assembly	Dark gray
14	70240301	Screw	
15	803998	Rear Access Panel	All models except SSENCFGW153TW01, SSENCFGW173TW01 and SSGNCFGW113TW01
16	70030501	Expansion Clip	6 required
17	803964B	Control Panel	Black; Models SSENCAGS173TN01 and SSGNCAGS113TN01
	510076W	Control Panel and Bracket Assembly	White; Models SSENCFGW153TW01, SSENCFGW173TW01 and SSGNCFGW113TW01
	803964W	Control Panel	White; All other models
	803964DG	Control Panel	Dark gray; All other models
18	503688	Screw	
19	29651	Bolt	2 required
20	512973	Switch	
21	38717	Single Overlay	
22	201572	Clip	For use with item 2

# Control Cabinet Controls - Card Ready Models

Models SSENAGS153TW01, SSENAGS173TN01, SSENAGS173TW01,  
SSENAGW173TW01, SSENFGW173TW01, SSEWAGS153TW01,  
SSEWAGS173TW01, SSEWAGW173TW01, SSGNAGS113TN01,  
SSGNAGS113TW01, SSGNAGW113TW01, SSGNFGW113TW01,  
SSGWAGS113TW01 and SSGWAGW113TW01



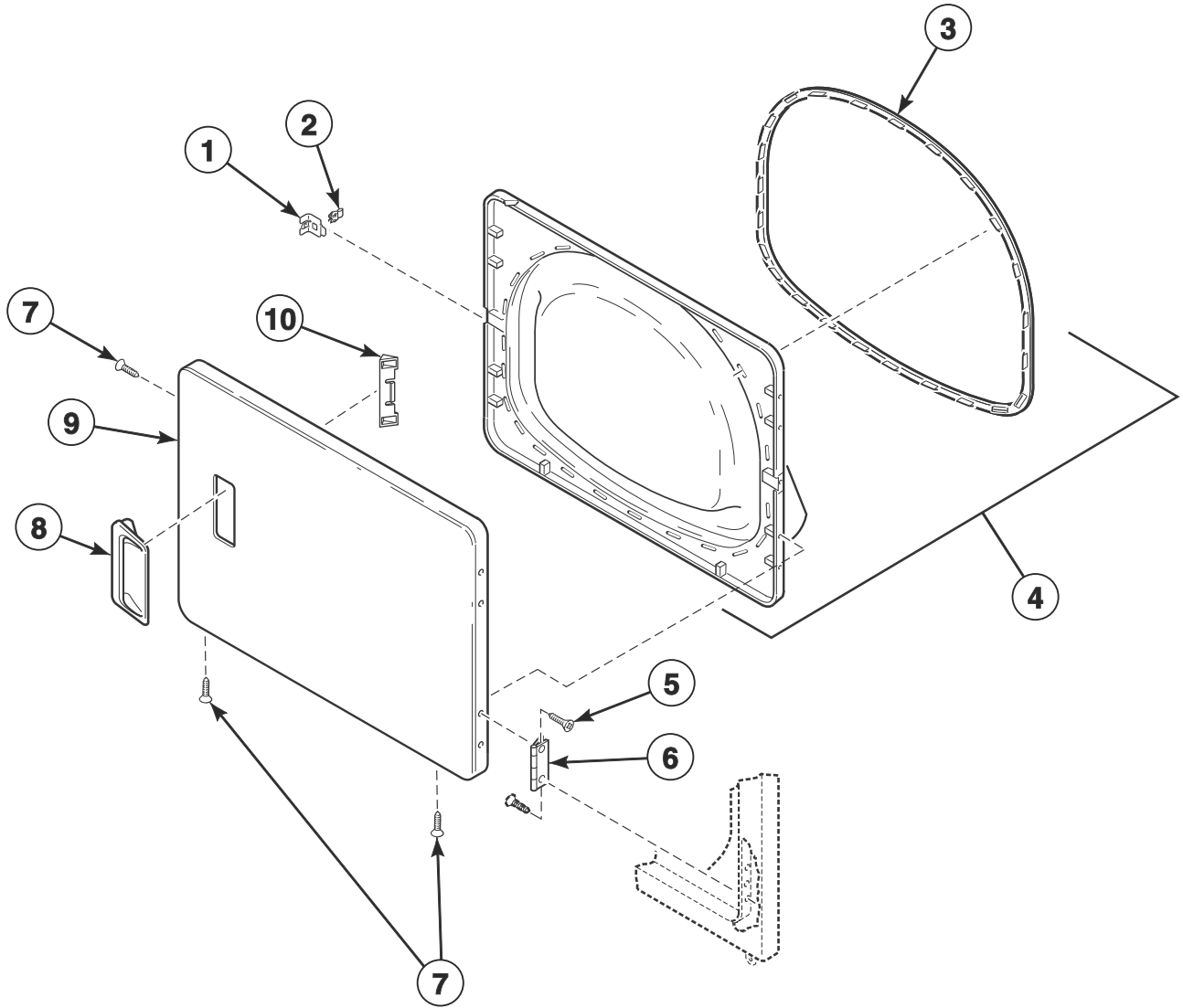
DRY2409P\_515207

## Control Cabinet Controls - Card Ready Models

REF	PART NO.	DESCRIPTION	COMMENTS
1	514391	Card Insert Overlay	2 required
2	804147B	Security Cabinet Front Assembly	Black; Models SSENKAGS173TN01 and SSGNYAGS113TN01
	510072W	Security Cabinet Front Assembly	White; Models SSENKFGW173TW01 and SSGNYFGW113TW01
	804147WP	Security Cabinet Front Assembly	White; All other models
3	804112B	Wrapper Assembly	Black; Models SSENKAGS173TN01 and SSGNYAGS113TN01
	505753WP	Wrapper and Channel Assembly	White; Models SSENKFGW173TW01 and SSGNYFGW113TW01
	804112W	Wrapper Assembly	White; All other models
4	70240301	Screw	6 required
5	803998	Rear Access Panel	All models except SSENKFGW173TW01 and SSGNYFGW113TW01
6	70030501	Expansion Clip	6 required
7	503688	Screw	

# Loading Door without Window

Models PSEJXAGS174TG01, PSGJXAGS114TG01, SSENCAGS153TW01, SSENCAGS173TN01, SSENCAGS173TW01, SSENYAGS153TW01, SSENYAGS173TN01, SSENYAGS173TW01, SSEWYAGS153TW01, SSEWYAGS173TW01, SSGNCAGS113TN01, SSGNCAGS113TW01, SSGNYAGS113TN01, SSGNYAGS113TW01 and SSGWYAGS113TW01



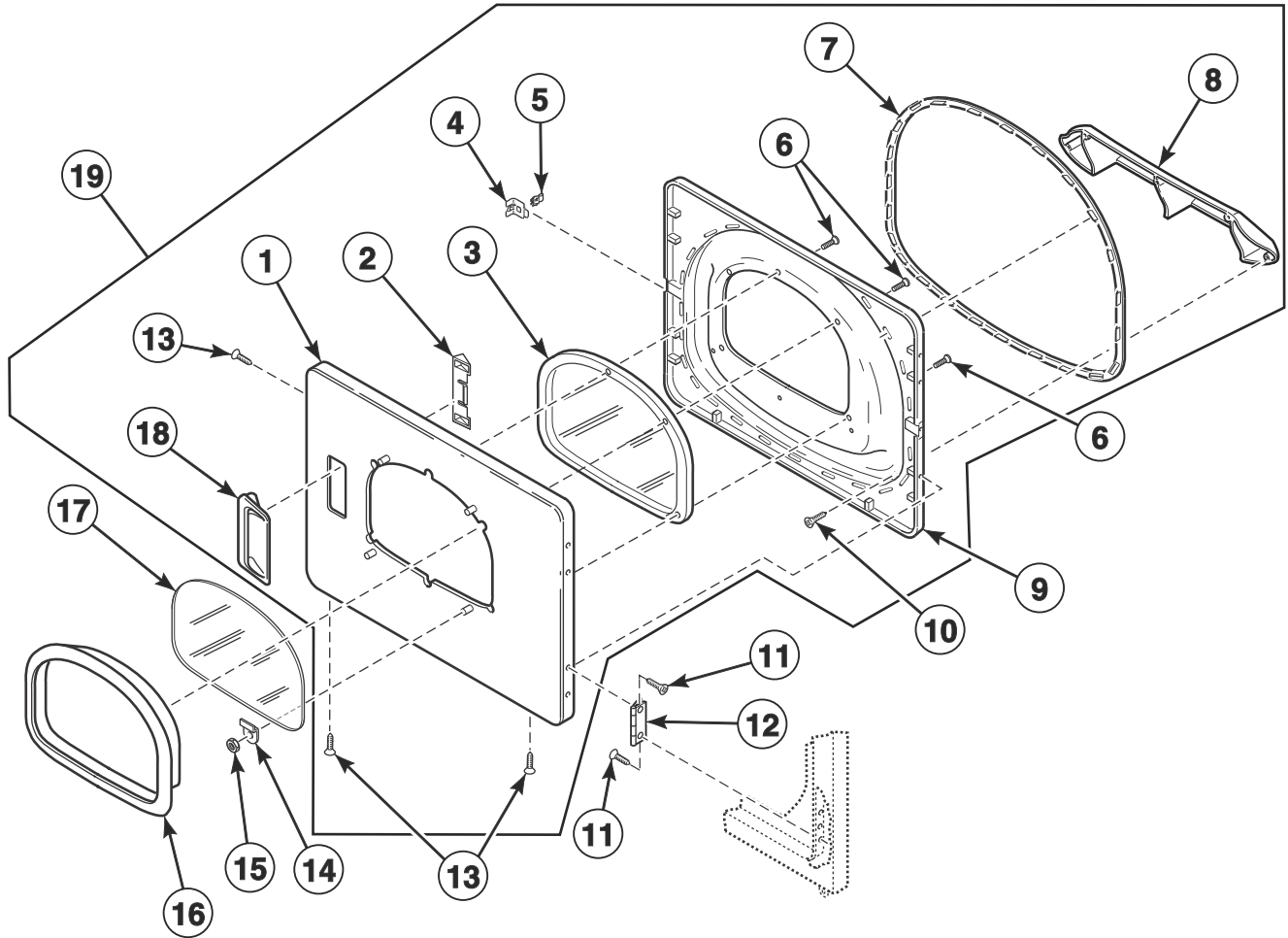
DRY1775P\_515207

## Loading Door without Window

REF	PART NO.	DESCRIPTION	COMMENTS
1	510127	Door Strike Mount	
2	510181	Door Strike	
3	510147P	Liner Door Seal	
4	510163WP	Liner, Seal and Grill Assembly	Includes item 3; Models SSGNCAGS113TW01, SSGNYAGS113TW01 and SSGWYAGS113TW01
	510289LG	Door Liner and Seal Assembly	Light gray; Includes item 3; Models SSGNCAGS113TN01 and SSGNYAGS113TW01
	513109P	Liner, Seal and Grill Assembly	Gray; Includes item 3; All other models
5	514461	Screw	
6	511036	Hinge	
7	500226	Screw	
8	511213P	Door Pull and Wedge Kit	Black; Includes item 9; Models SSENCAGS173TN01, SSENYAGS173TN01, SSGNCAGS113TN01 and SSGNYAGS113TW01
	512947	Door Pull	Light gray; Includes item 9; Models PSEJXAGS174TG01 and PSGJXAGS114TG01
	510103WP	Door Pull and Wedge Kit	White; Includes item 9; All other models
9	512969	Dryer Door	Stainless steel; Models SSENCAGS173TN01, SSENYAGS173TN01, SSGNCAGS113TN01 and SSGNYAGS113TW01
	510013WP	Dryer Door	White; All other models
	510013DG	Dryer Door	Dark gray; All other models
10	510129	Door Handle Wedge	

# Loading Door with Window

Models SSECAGW153TW01, SSECAGW173TW01, SSECAGW153TW01, SSECAGW173TW01, SSECAGW173TW01, SSECAGW173TW01, SSECAGW173TW01, SSECAGW173TW01, SSECAGW173TW01, SSECAGW173TW01, SSECAGW173TW01, SSECAGW173TW01, SSECAGW173TW01, SSECAGW173TW01 and SSECAGW173TW01

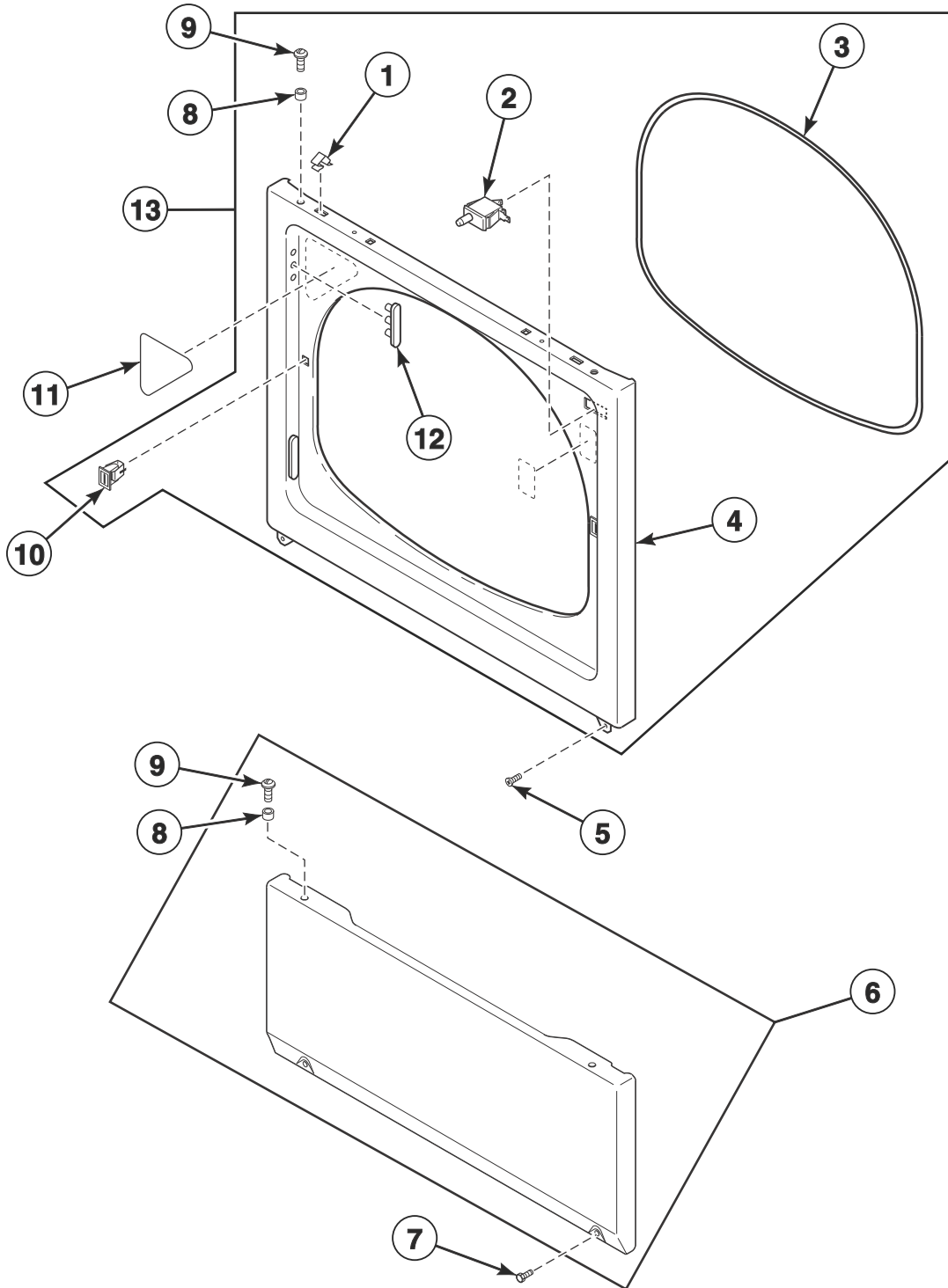


DRY2296P\_515207

## Loading Door with Window

REF	PART NO.	DESCRIPTION	COMMENTS
1	510082WP	Dryer Door	White; Models SSGNCAGW113TW01, SSGNCFGW113TW01, SSGNXAGW113TW01, SSGNYAGW113TW01, SSGNYFGW113TW01 and SSGWYAGW113TW01
	514114W	Dryer Door Assembly	All other models
2	510129	Door Handle Wedge	
3	503982P	Dryer Door Window	
4	510127	Door Strike Mount	
5	510181	Door Strike	
6	505870	Screw	
7	510147P	Liner Door Seal	
8	503870W	Door Liner Grill	Models SSGNCAGW113TW01, SSGNCFGW113TW01, SSGNXAGW113TW01, SSGNYAGW113TW01, SSGNYFGW113TW01 and SSGWYAGW113TW01
	503870LG	Door Liner Grill	All other models
9	510098W	Liner and Seal Assembly	Includes item 7; Models SSGNCAGW113TW01, SSGNCFGW113TW01, SSGNXAGW113TW01, SSGNYAGW113TW01, SSGNYFGW113TW01 and SSGWYAGW113TW01
	510098LG	Liner and Seal Assembly	Includes item 7; All other models
10	505870	Screw	
11	514461	Screw	
12	511036	Hinge	
13	500226	Screw	
14	513958	Window Clip	Models SSENCAGW153TW01, SSENCAGW173TW01, SSENCFGW153TW01, SSENCFGW173TW01, SSENXAGW173TW01, SSENYAGW173TW01, SSENYFGW173TW01 and SSEWYAGW173TW01
15	44071201	Nut	Models SSENCAGW153TW01, SSENCAGW173TW01, SSENCFGW153TW01, SSENCFGW173TW01, SSENXAGW173TW01, SSENYAGW173TW01 and SSEWYAGW173TW01
16	503981W	Window Trim	White; Models SSGNCAGW113TW01, SSGNCFGW113TW01, SSGNXAGW113TW01, SSGNYAGW113TW01, SSGNYFGW113TW01 and SSGWYAGW113TW01
	513960W	Window Trim	All other models
17	513910	Glass Door Window	Models SSENCAGW153TW01, SSENCAGW173TW01, SSENCFGW153TW01, SSENCFGW173TW01, SSENXAGW173TW01, SSENYAGW173TW01, SSENYFGW173TW01, SSEWYAGW173TW01 and SSGNYAGW113TW01
18	510103WP	Door Pull and Wedge Kit	White; Includes item 2
19	511636WP	Door and Liner Assembly	White; Includes items 1-10, 13, 15 and 18

# Access Panel, Front Panel and Seal



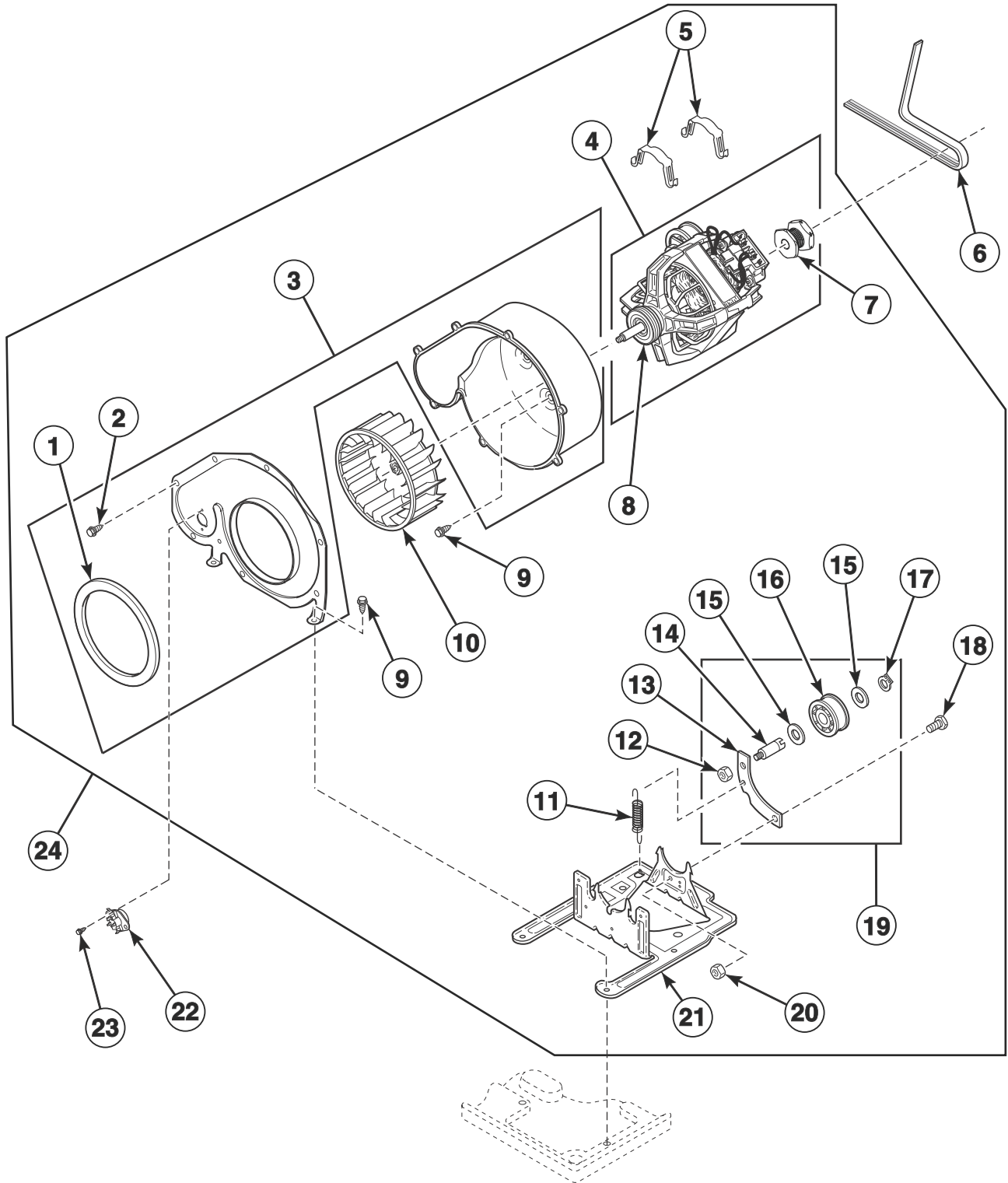
DRY1824P\_515207



## Access Panel, Front Panel and Seal

REF	PART NO.	DESCRIPTION	COMMENTS
1	28835	Speed Clip	1 per side
2	512973	Switch	
3	511056	Front Panel Seal	
4	512542	Front Panel	Stainless steel; Models SSENCAGS173TN01, SSENYAGS173TN01, SSGNCAGS113TN01 and SSGNYAGS113TN01
	510066WP	Front Panel	White; All other models
	510066DG	Front Panel	Dark gray; All other models
5	503688	Screw	
6	514250WP	Access Panel Assembly	White; Models SSGNCAGS113TW01, SSGNCAGW113TW01, SSGNCFGW113TW01, SSGNXAGW113TW01, SSGNYAGS113TW01, SSGNYAGW113TW01, SSGNYFGW113TW01, SSGWYAGS113TW01 and SSGWYAGW113TW01
	514252DG	Access Panel and Guard Assembly	Dark gray; Models PSEJXAGS174TG01 and PSGJXAGS114TG01
	514252W	Access Panel and Guard Assembly	White; Models SSENCAGS153TW01, SSENCAGS173TW01, SSENCAGW153TW01, SSENCAGW173TW01, SSENCFGW153TW01, SSENCFGW173TW01, SSENXAGW173TW01, SSENYAGS153TW01, SSENYAGS173TW01, SSENYAGW173TW01, SSENYFGW173TW01, SSEWYAGS153TW01, SSEWYAGS173TW01 and SSEWYAGW173TW01
	514253	Access Panel and Guard Assembly	Stainless steel; Models SSENCAGS173TN01 and SSENYAGS173TN01
	514251	Access Panel Assembly	Stainless steel; Models SSENCAGS173TN01 and SSENYAGS173TN01
7	33562	Screw	Slotted hex head
	62853	Screw	Torx head; Optional for added security
8	56079	Panel Locator	1 per side
9	39733	Screw	1 per side
10	510177	Door Catch Assembly	
11	500281	Warning/Caution Label	
12	510186	Hinge Hole Plug	
13	513781WP	Front Panel Assembly	Includes items 1-4, 8-10, 12, 511636WP Door Assembly, (2) of 511036 Door Hinge and (8) of 500226 Screw; Models SSENCAGS153TW01, SSENCAGS173TN01, SSENCAGS173TW01, SSENYAGW173TW01, SSENYFGW173TW01, SSEWYAGW173TW01, SSGNCAGW113TW01, SSGNCFGW113TW01, SSGNXAGW113TW01, SSGNYAGW113TW01, SSGNYFGW113TW01 and SSGWYAGW113TW01

# Motor, Exhaust Fan and Belt

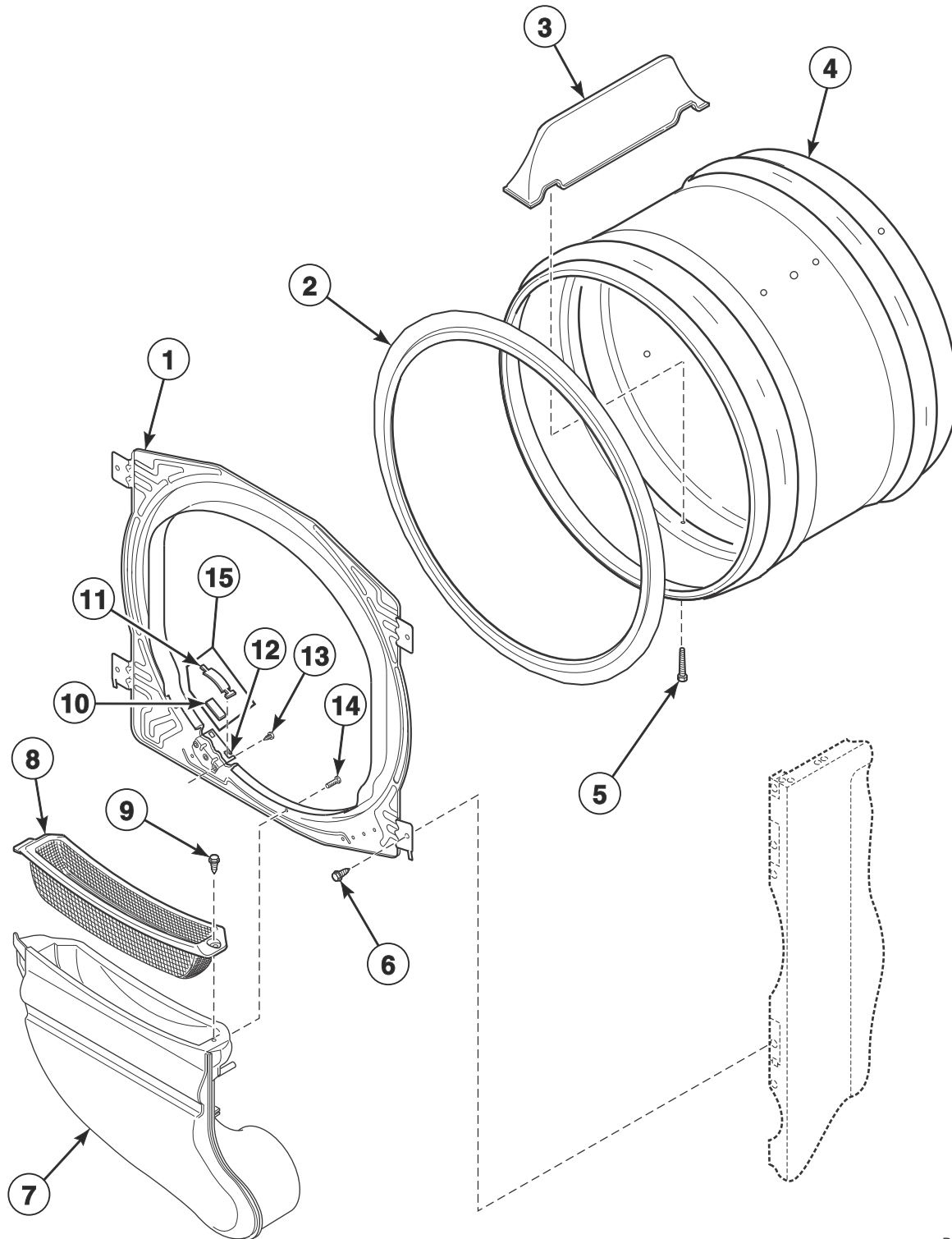


DRY2084P\_515207

## Motor, Exhaust Fan and Belt

REF	PART NO.	DESCRIPTION	COMMENTS
	27604P	Anti-Seize Compound	Apply to motor shaft when installing blower fan assembly
1	510238P	Blower Housing Seal	
2	31260	Screw	
3	511969WP	Blower Housing	Includes items 1 and 2; Models PSGJXAGS114TG01, SSGNCAGS113TN01, SSGNCAGS113TW01, SSGNCAGW113TW01, SSGNCFGW113TW01, SSGNXAGW113TW01, SSGNYAGS113TN01, SSGNYAGS113TW01, SSGNYAGW113TW01, SSGNYFGW113TW01, SSGWYAGS113TW01 and SSGWYAGW113TW01
	511969LG	Blower Housing	Includes items 1 and 2; All other models
4	511629P	Motor and Pulley Assembly	120 Volt/60 Hertz; Apply anti-seize compound to motor shaft when installing blower fan assembly; Includes items 7 and 8
5	510180	Motor Mount Clamp	
6	511255P	Cylinder Belt	
7	500011	Motor Pulley	60 Hertz
8	590P3	Motor Hub Ring Kit	
9	503688	Screw	
10	510139P	Blower Fan Assembly	Apply anti-seize compound to motor shaft when installing blower fan assembly
11	510185	Idler Spring	
12	56156	Nut	
13	510133	Idler Lever	
14	56461P	Shaft	
15	52549	Washer	
16	510142P	Idler Wheel and Bearing Assembly	
17	23748	Retaining Ring	
18	500824	Screw	
19	510158	Idler Lever and Wheel Assembly	Includes items 12-17
20	52566	Nut	
21	510060	Motor Mount	
22	510523	Thermistor Assembly	Black
23	502535	Screw	
24	510717P	Blower and Fan Kit	Includes items 1-5 and 7-21

# Front Bulkhead, Air Duct, Felt Seal and Cylinder

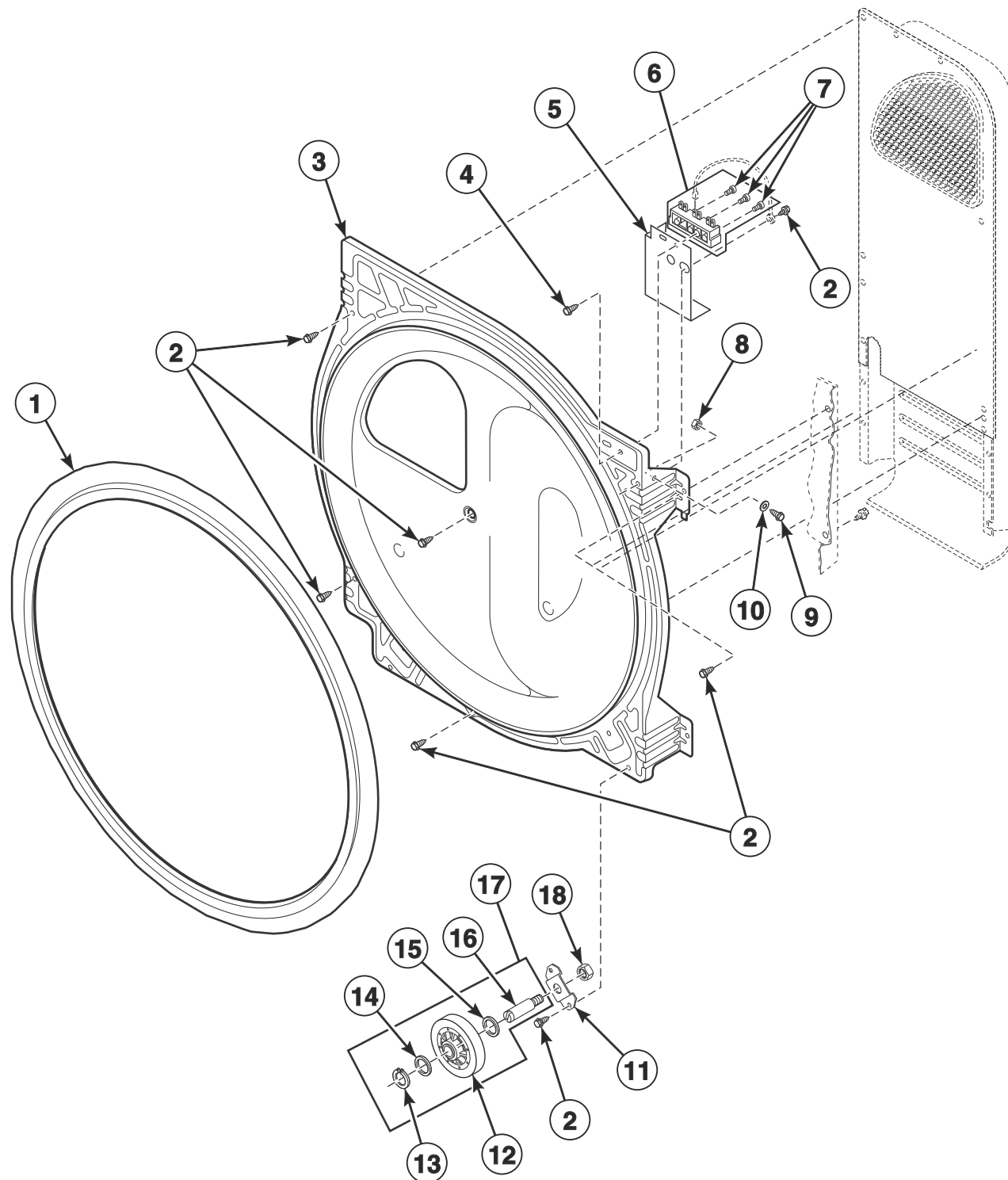


D402P\_515207

## Front Bulkhead, Air Duct, Felt Seal and Cylinder

REF	PART NO.	DESCRIPTION	COMMENTS
1	510266P	Front Bulkhead Assembly	Unpainted; Includes items 2 and 10-13
2	510207P	Cylinder Seal Assembly	
	511637P	Adhesive	Apply to cylinder seal
	RB170001	Seal Kit	Includes 2 cylinder seals, 510238P Blower Housing Seal and 511637P Adhesive
3	510102W	Cylinder Baffle	Models PSGJXAGS114TG01, SSGNCAGS113TW01, SSGNCAGW113TW01, SSGNXAGW113TW01, SSGNYAGS113TW01, SSGNYAGW113TW01, SSGNYFGW113TW01, SSGWYAGS113TW01 and SSGWYAGW113TW01
	510102LG	Cylinder Baffle	All other models
4	510265WP	Cylinder Assembly	Galvanized; Includes item 3; Models PSGJXAGS114TG01, SSGNCAGS113TW01, SSGNCAGW113TW01, SSGNXAGW113TW01, SSGNYAGS113TW01, SSGNYAGW113TW01, SSGNYFGW113TW01, SSGWYAGS113TW01 and SSGWYAGW113TW01
	510265LGP	Cylinder Assembly	All other models
5	62588	Screw	
6	M405188	Screw	Use with stainless steel side panels
	503688	Screw	Use with painted side panels
7	510151W	Air Duct Assembly	Models PSGJXAGS114TG01, SSGNCAGS113TW01, SSGNCAGW113TW01, SSGNXAGW113TW01, SSGNYAGS113TW01, SSGNYAGW113TW01, SSGNYFGW113TW01, SSGWYAGS113TW01 and SSGWYAGW113TW01
	510151LG	Air Duct Assembly	All other models
8	503980W	Lint Filter	Models PSGJXAGS114TG01, SSGNCAGS113TW01, SSGNCAGW113TW01, SSGNXAGW113TW01, SSGNYAGS113TW01, SSGNYAGW113TW01, SSGNYFGW113TW01, SSGWYAGS113TW01 and SSGWYAGW113TW01
	503980LG	Lint Filter	All other models
9	501285	Screw	
10	510189	Felt Pad	1 per side
11	513710	Cylinder Glide	1 per side
12	510145	Cylinder Glide Bracket	1 per side
13	503688	Screw	2 per side
14	514461	Screw	
15	RB170003	Glide Kit	Includes 2 of items 10 and 11

# Rear Bulkhead, Felt Seal, Cylinder Roller and Terminal Block

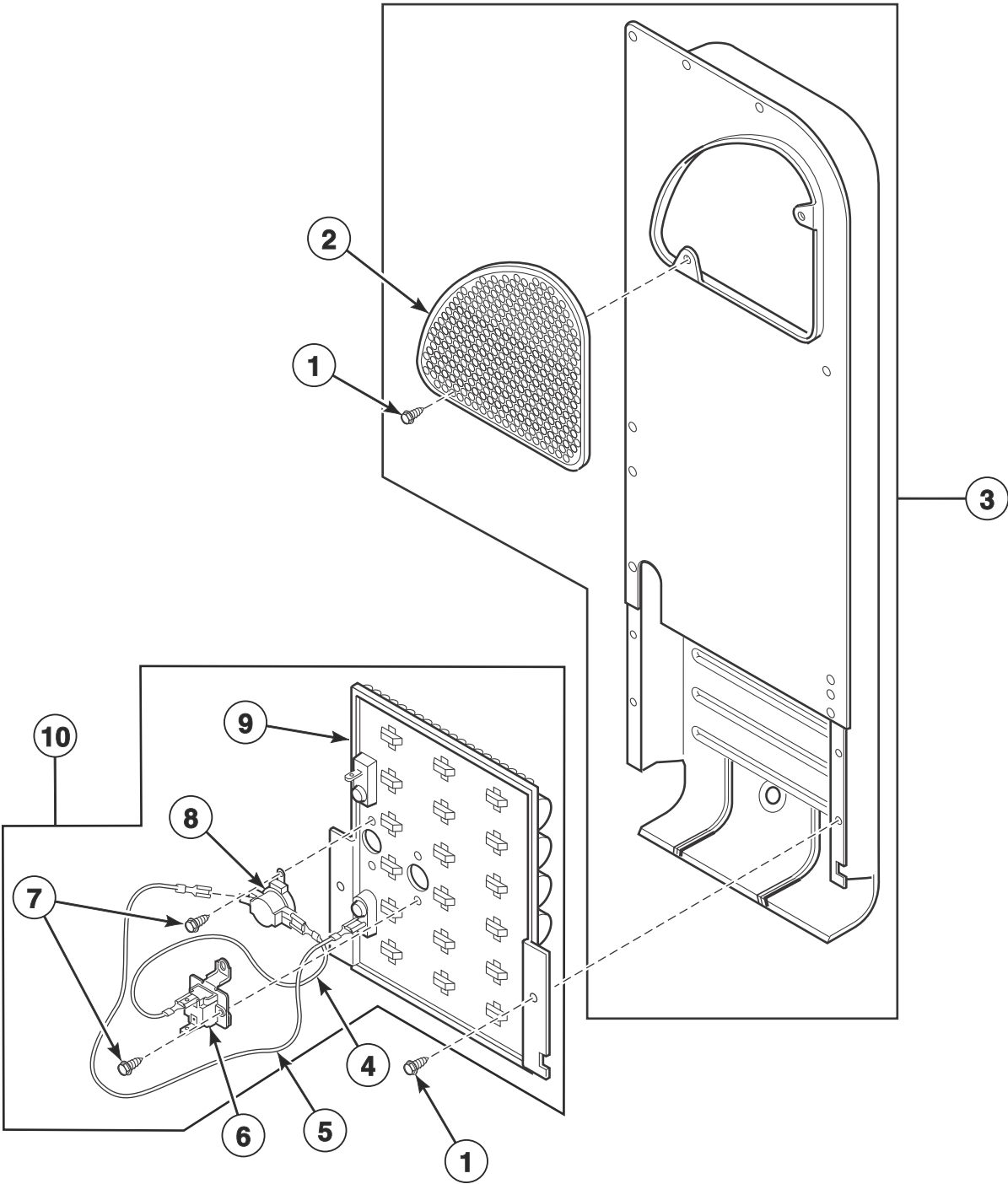


DRY1774P\_515207

## Rear Bulkhead, Felt Seal, Cylinder Roller and Terminal Block

REF	PART NO.	DESCRIPTION	COMMENTS
1	510207P	Cylinder Seal Assembly	
	511637P	Adhesive	Apply to cylinder seal
	RB170001	Seal Kit	Includes 2 cylinder seals, 510238P Blower Housing Seal and 511637P Adhesive
2	503688	Screw	
3	510041	Rear Bulkhead Assembly	Galvanized; Includes item 1
4	501285	Screw	Electric models
5	510237	Terminal Block Shield	Electric models
6	510190P	Terminal Block Assembly	Electric models; Includes 3 of item 7
7	61199	Screw	
8	28447	Nut	
9	28448	Screw	
10	28449	Washer	
11	510100	Cylinder Roller Bracket	
12	510708P	Cylinder Roller	
13	23748	Retaining Ring	
14	52549	Washer	
15	504082	Washer	
16	56461P	Shaft	
17	RB170002	Roller Kit	Includes items 12-16
18	56156	Nut	

# Heater Duct and Element Assembly - Electric Model Dryers



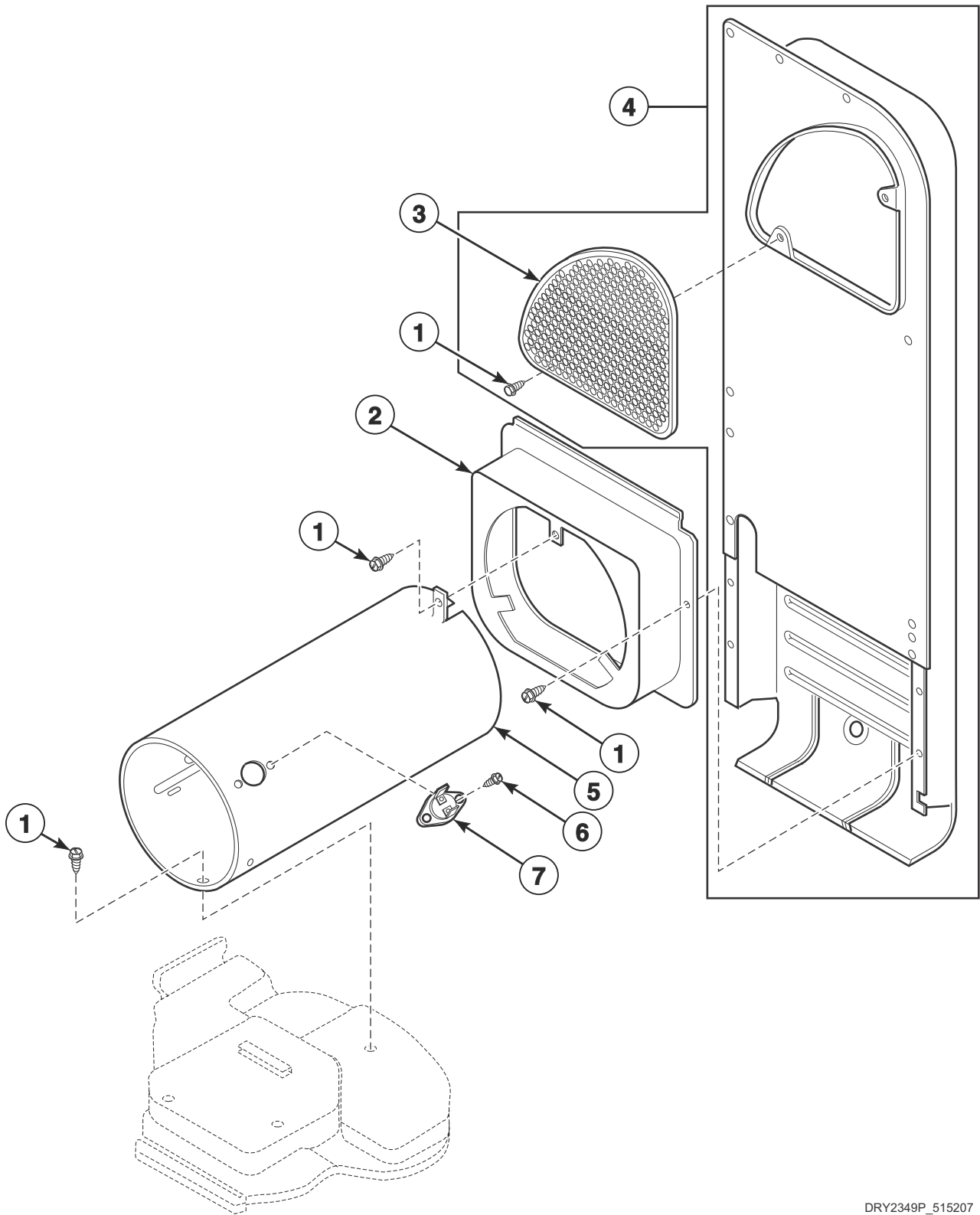
DRY1789P\_515207



## Heater Duct and Element Assembly - Electric Model Dryers

REF	PART NO.	DESCRIPTION	COMMENTS
1	503688	Screw	
2	500820	Outlet Cover	
3	510025P	Heater Duct and Screw Assembly	Includes items 1 and 2
4	510528	Wire Assembly	Orange; Thermostat jumper; Attaches to heater assembly
5	510527	Wire Assembly	Black; Fuse jumper; Attaches to heater assembly
6	511412	Thermal Fuse Assembly	
7	23222	Screw	
8	510701	Limit Thermostat	
9	510325P	Heater	4.75 kW; 208 Volt; Models SSENCAGS153TW01, SSENCAGW153TW01, SSENCFGW153TW01, SSENYAGS153TW01 and SSEWYAGS153TW01
	510329P	Heater Assembly	5.35 kW; 240 Volt; All other models
10	61928	Heater Kit Assembly	4.75 kW; 208 Volt
	964P3	Heater Kit	5.35 kW; 240 Volt

# Heater Duct Assembly - Gas Model Dryers



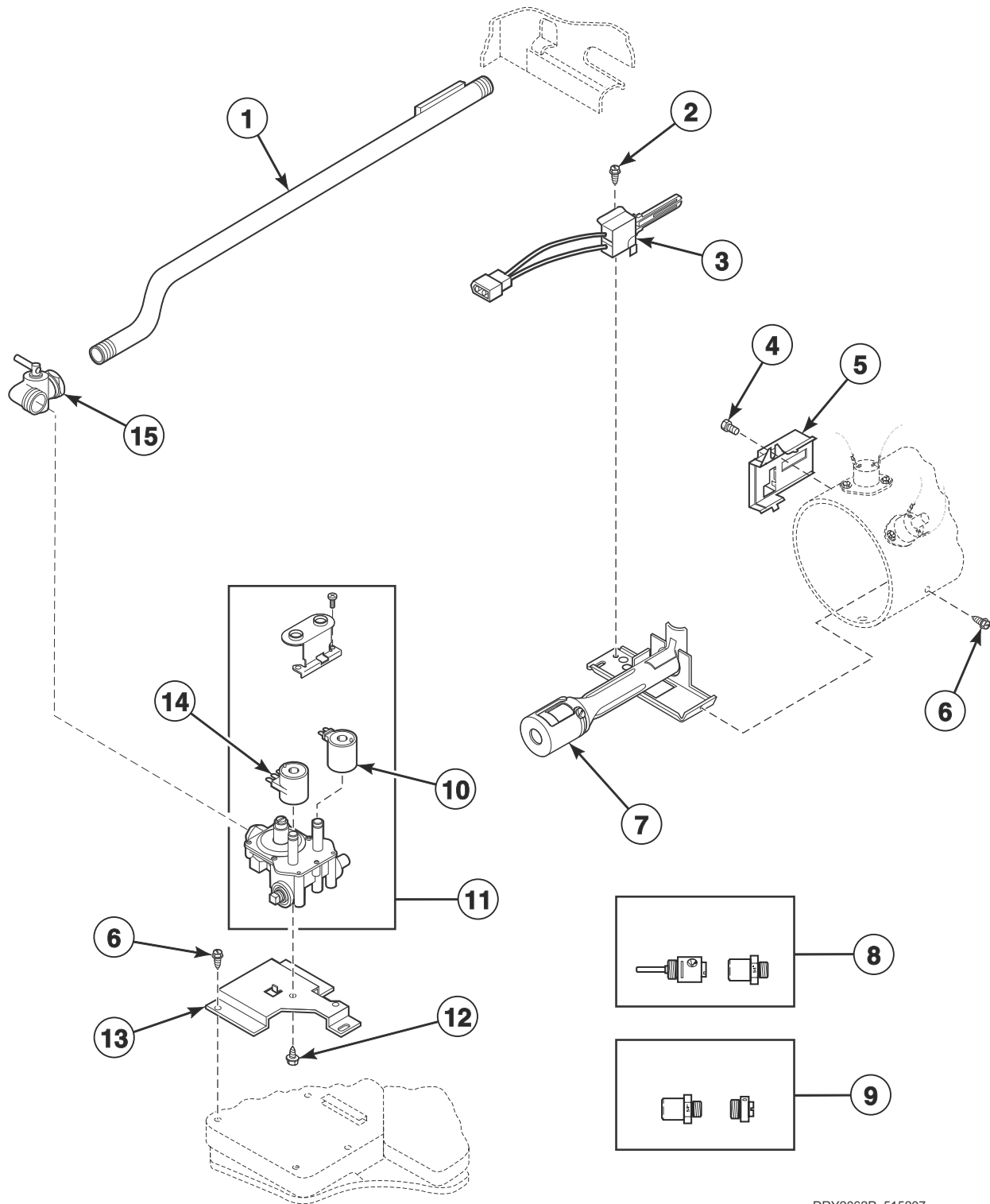
DRY2349P\_515207

## Heater Duct Assembly - Gas Model Dryers

REF	PART NO.	DESCRIPTION	COMMENTS
1	503688	Screw	
2	510101	Heat Duct Shroud	
3	500820	Outlet Cover	
4	510025P	Heater Duct and Screw Assembly	Includes items 1 and 3
5	510131	Combustion Duct	
6	51782	Screw	
7	510702	Limit Thermostat	Black; Auto reset

# Gas Valve, Igniter and Gas Conversion Kits

Gas Models

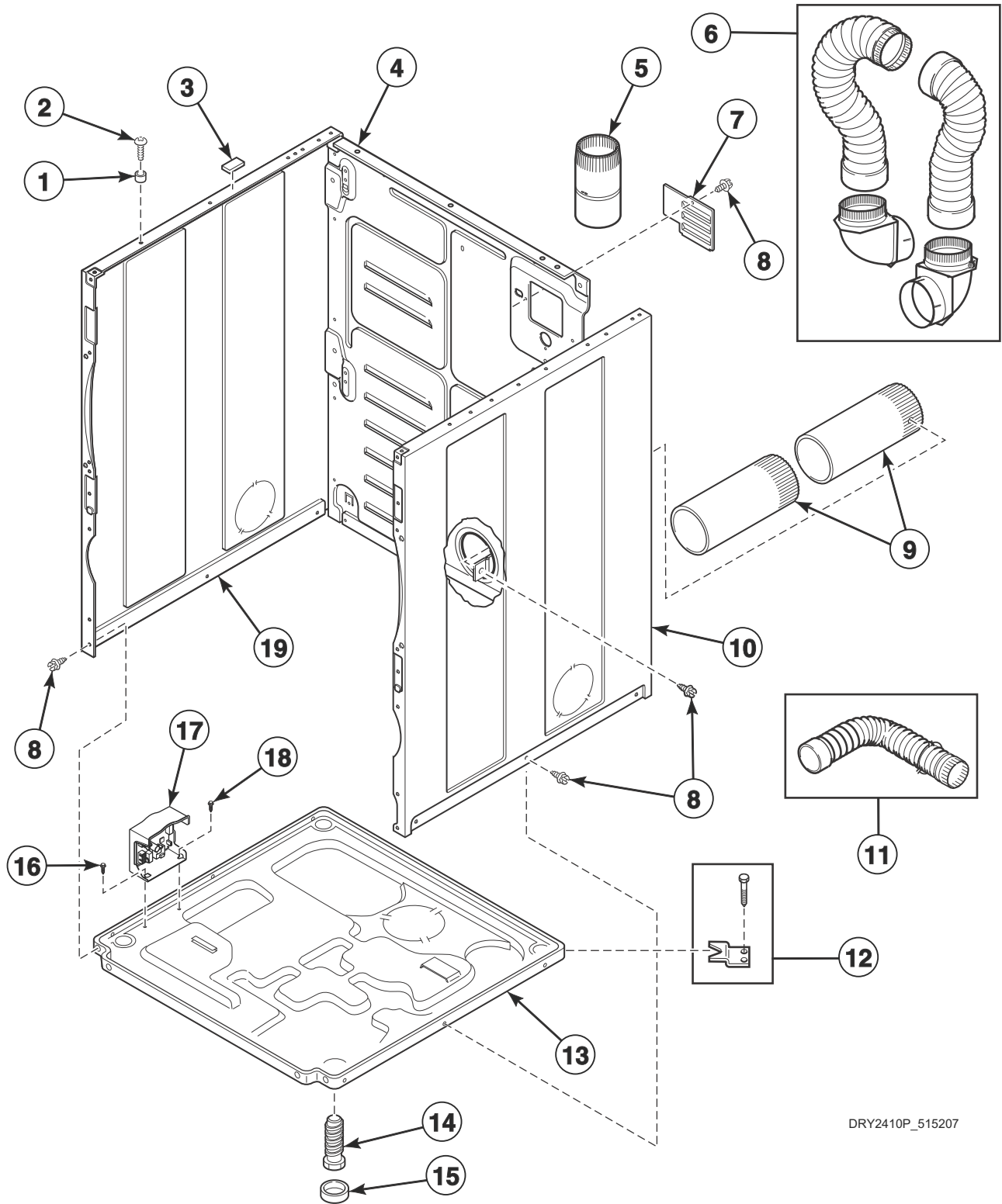


DRY2062P\_515207

## Gas Valve, Igniter and Gas Conversion Kits

REF	PART NO.	DESCRIPTION	COMMENTS
1	510204	Lead-In Pipe Assembly	
2	51782	Screw	
3	510184P	Igniter and Bracket Assembly	
4	23222	Screw	
5	510213	Sensor	
6	503688	Screw	
7	510149P	Burner Assembly	
8	458P3	L.P. Conversion Kit	Used to convert dryers from Natural Gas (N.G.) or Mixed Gas to Liquid Petroleum Gas (L.P.); For 25,000 Btu
9	459P3	N.G. Conversion Kit	Used to convert dryers from L.P. to N.G. or Mixed Gas; For 25,000 Btu
10	58804B	Secondary Coil	
11	60353P	Gas Valve Assembly	25,000 Btu; Includes items 10 and 14
12	56124	Screw	
13	510128	Gas Valve Mounting Bracket	
14	58804A	Booster and Holding Coil	
15	510205	Elbow Shut-Off Valve	

# Cabinet, Exhaust Duct and Base

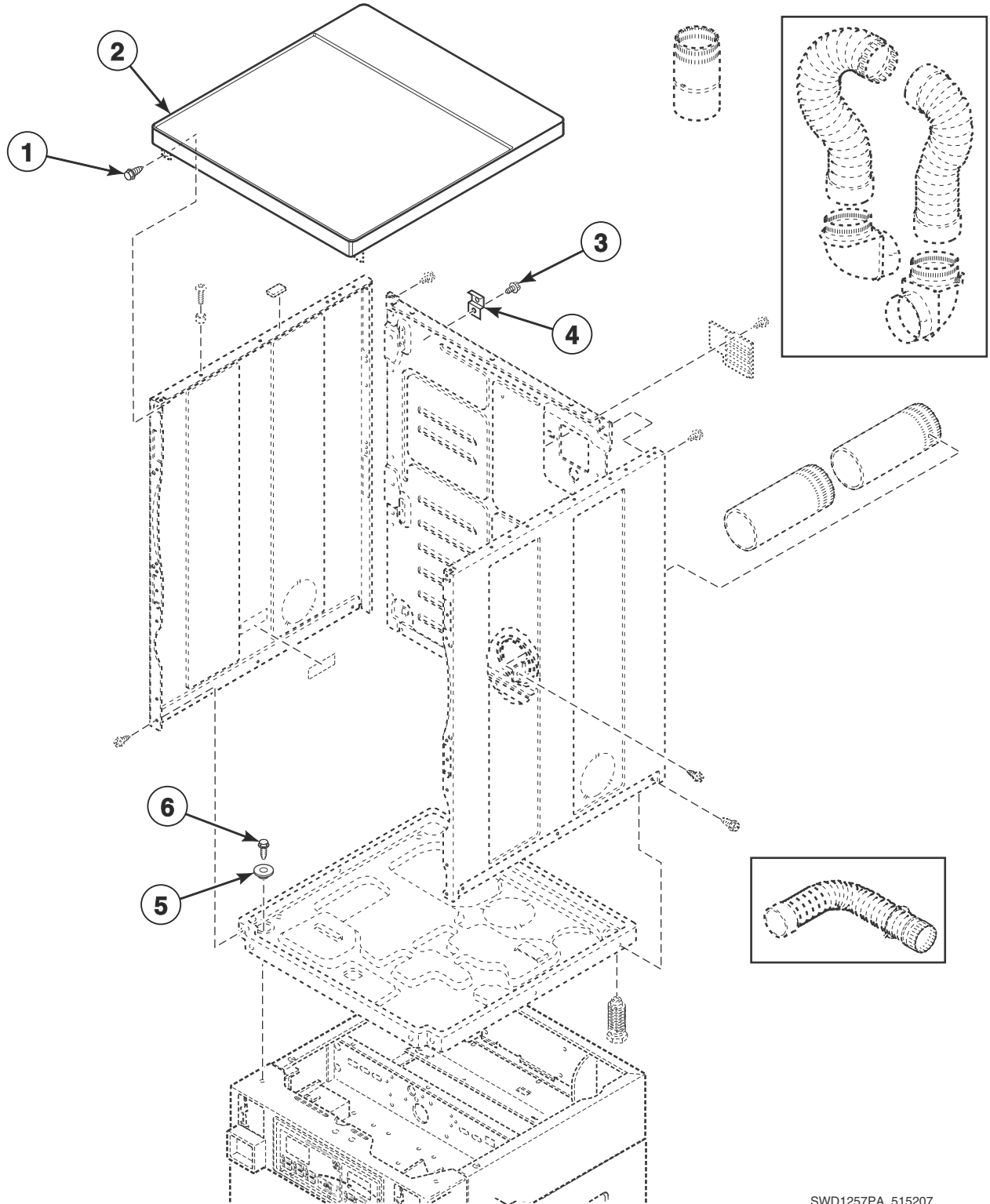


DRY2410P\_515207

## Cabinet, Exhaust Duct and Base

REF	PART NO.	DESCRIPTION	COMMENTS
	42945DG	Acrylic Powder Paint	Dark gray
	122P4P	Porcelain Touch-Up Paint	White
1	56079	Panel Locator	
2	39733	Screw	
3	56128	Bumper Pad	
4	514632P	Cabinet Rear Panel	
5	58786	Damper	Use when connecting to a manifold vent system.
6	521P3	Flexible Venting Kit	
7	510903	Access Panel Plate	
8	503688	Screw	
9	510137	Exhaust Duct	Each dryer requires 2 pieces
10	510002DGP	Cabinet Side Panel	Dark gray; Right; Models PSEJXAGS174TG01, PSGJXAGS114TG01, SSECAGS173TN01, SSENAGS173TN01, SSGNCAGS113TN01 and SSGNYAGS113TN01
	510002WP	Cabinet Side Panel	White; Right; All other models
11	528P3	Directional Exhaust Kit	Used to vent dryer out the sides or bottom
12	526P3	Hold Down Kit	For mobile home installations
13	514245	Dryer Base	
14	510135	Leveling Leg	
15	501855	Rubber Foot	
16	514428	Screw	
17	513797P	Output Control Assembly	
18	804667	Screw	
19	510001DGP	Cabinet Side Panel	Dark gray; Left; Models PSEJXAGS174TG01, PSGJXAGS114TG01, SSECAGS173TN01, SSENAGS173TN01, SSGNCAGS113TN01 and SSGNYAGS113TN01
	510001WP	Cabinet Side Panel	White; Left; All other models

# Cabinet Top



SWD1257PA\_515207

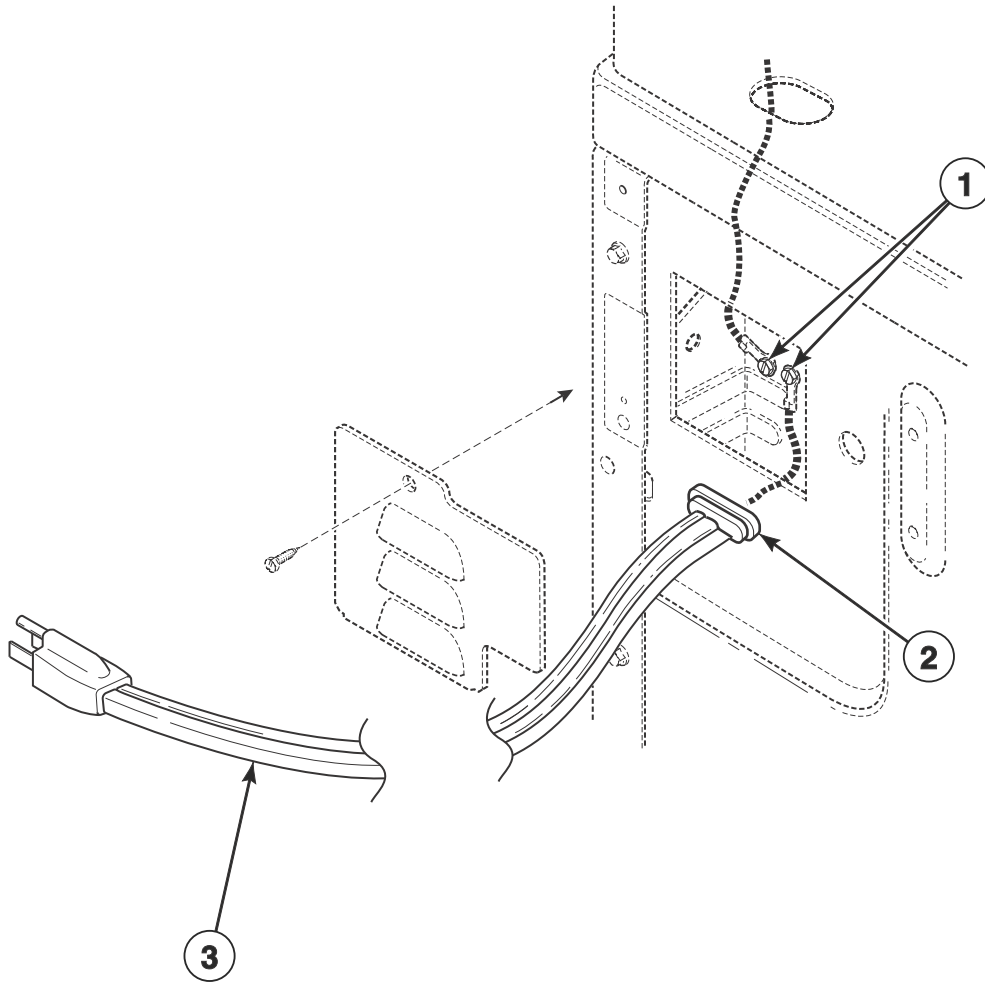


# Cabinet Top

REF	PART NO.	DESCRIPTION	COMMENTS
1	503661	Screw	
2	510032DG	Top Panel	Dark gray; Models PSEJXAGS174TG01, PSGJXAGS114TG01, SSECAGS173TN01 and SSENYAGS173TN01
	803144P	Top Kit	Stainless steel; Models SSGNCAGS113TN01 and SSGNYAGS113TN01
	510032WP	Top Kit	White; All other models
3	503688	Screw	
4	510136	Top Hinge	
5	501307	Washer	
6	36048	Screw	

# Power Cord

Gas Models

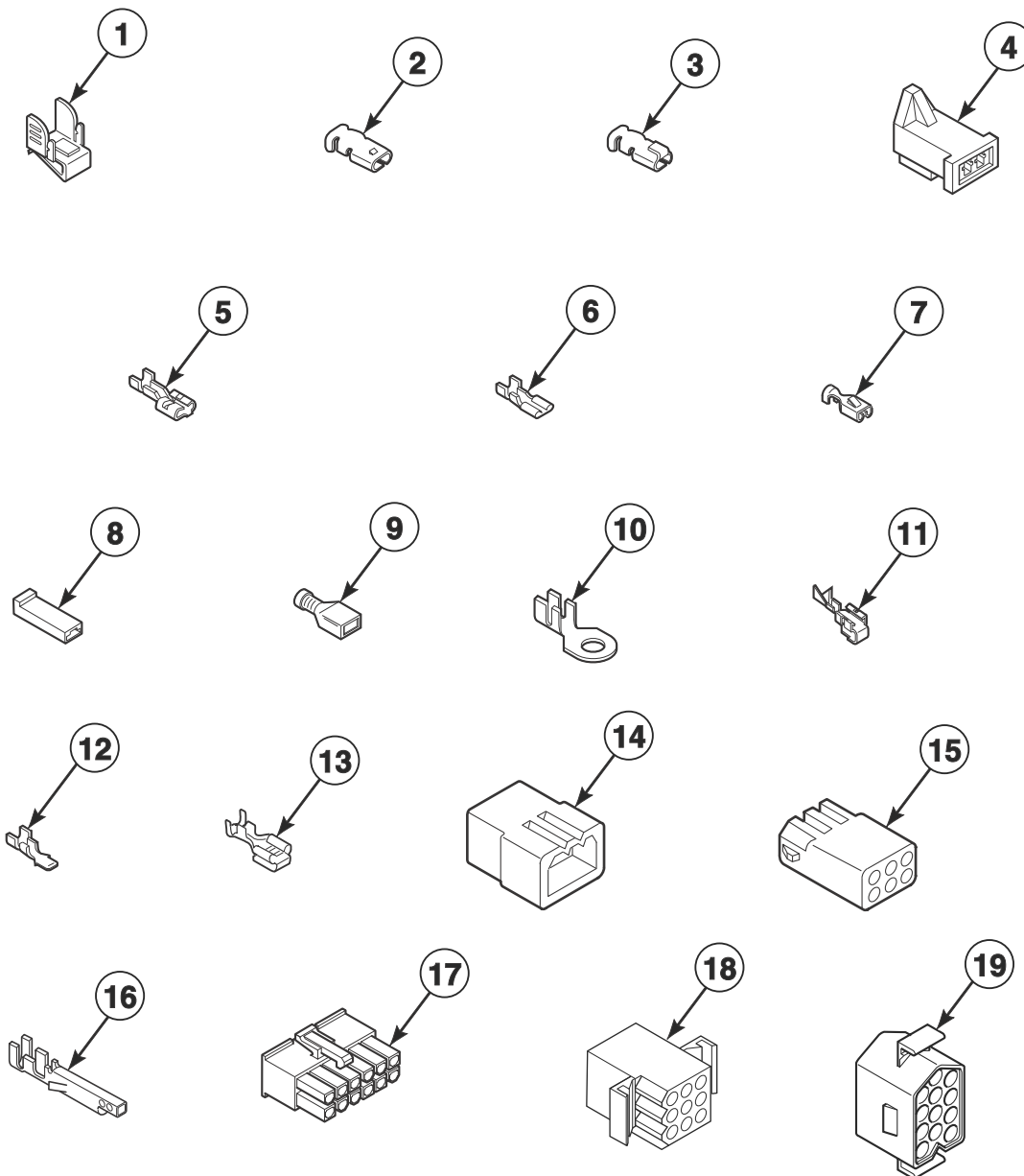


DRY1879P\_515207

# Power Cord

REF	PART NO.	DESCRIPTION	COMMENTS
1	20530	Screw	
2	38384	Strain Relief	
3	202777	Lead-In Cord	

# Terminal Block and Terminals

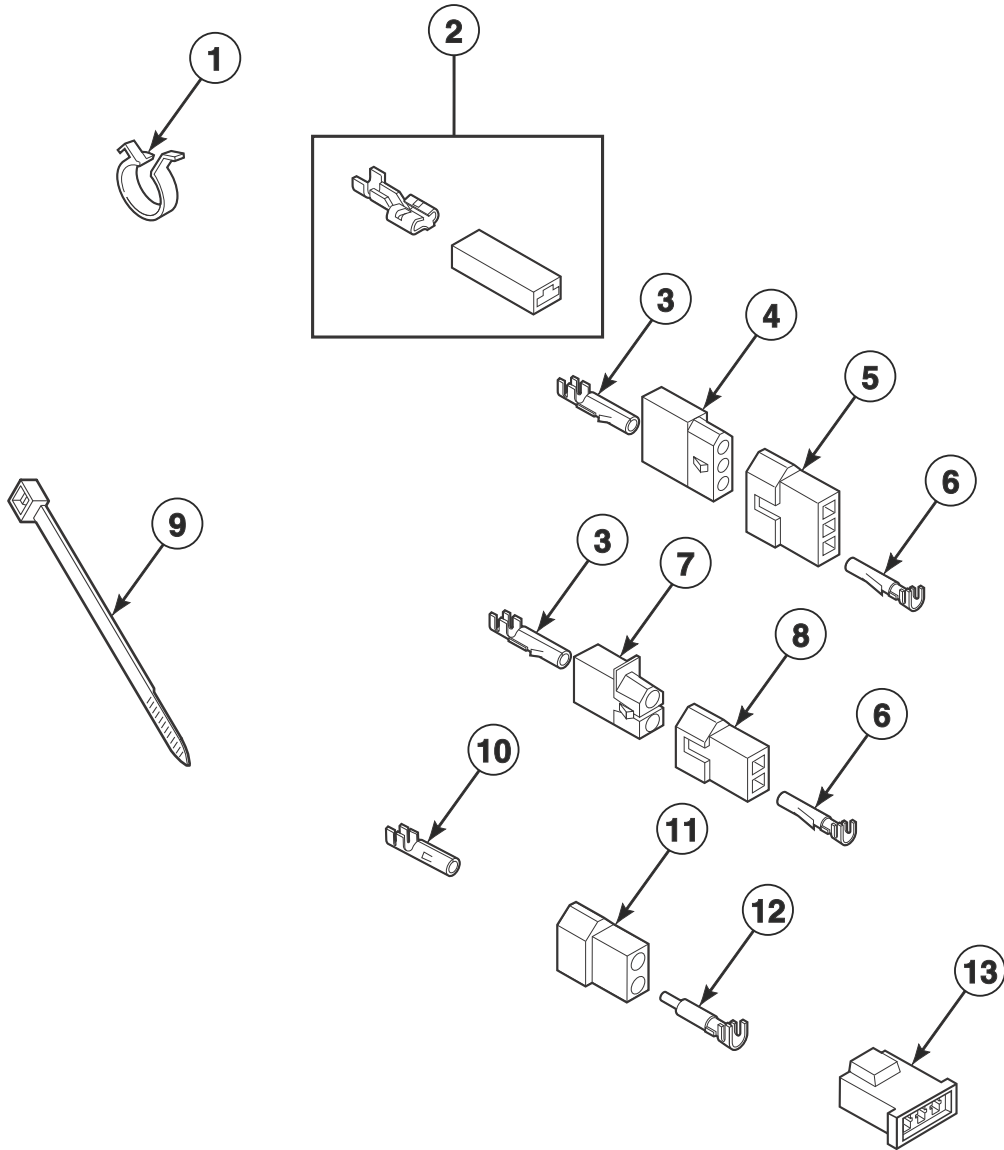


DRY2411P\_515207

## Terminal Block and Terminals

REF	PART NO.	DESCRIPTION	COMMENTS
1	00161	Grounding Clip	
2	00189	Female Spade Terminal	1/8 inch
3	00361	Female Piggyback Terminal	
4	58799	2 Circuit Connector	
5	00223	Female Spade Terminal	1/4 inch; (1) 18 gauge wire
	00121	Female Spade Terminal	1/4 inch; (2) 18 gauge wires or (1) 12 gauge wire
	00245	Spade Terminal	1/4 inch; (1) 22 gauge wire
6	00124	Female Spade Terminal	3/16 inch; (1) 18 gauge wire; .020 tab
7	00115	Female Spade Terminal	1/4 inch; (1) 18 gauge wire
8	90789	Receptacle Housing	
9	00359	Insulated Female Spade Terminal	1/4 inch
10	00110	Ring Terminal	No. 10; (1) 18 gauge wire
11	00114	Female Spade Terminal	1/4 inch; Double connector
12	00139	Male Tab Terminal	1/4 inch; (2) 18 gauge wires or (1) 12 gauge wire
13	00344	Female Tab Terminal	1/4 inch
14	23033	9 Circuit Plug	
	26302	1 Circuit Plug	
15	26708	6 Circuit Receptacle	
	26301	1 Circuit Receptacle	
16	00252	Terminal	
17	34596	10 Circuit Receptacle	
	501333	12 Circuit Receptacle	
18	56855	12 Circuit Receptacle	
19	54522	Plug	

# Terminals

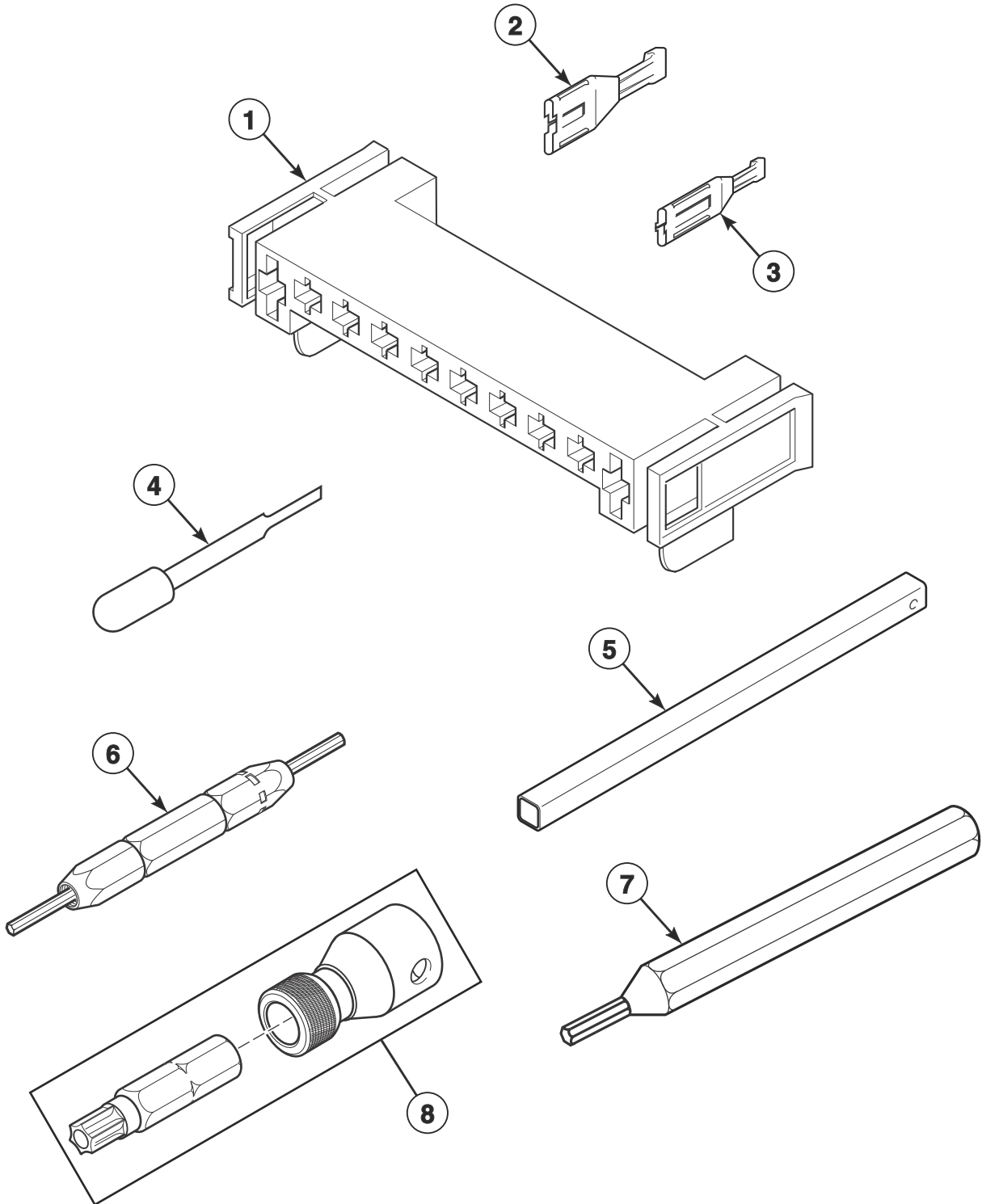


DRY1769P\_515207

# Terminals

REF	PART NO.	DESCRIPTION	COMMENTS
1	504034	Wire Clip	11/16 inch
	687500	Wire Clip	1 inch
2	00360	Insulated Female Spade Terminal	(1) 12 gauge wire or (2) 18 gauge wires
3	00117	Female Pin Terminal	
4	23039	3 Circuit Receptacle	
5	23040	Plug	
6	00116	Male Pin Terminal	
7	56451	2 Circuit Receptacle	
8	56448	2 Circuit Plug	
9	55881	Harness Strap	
10	00130	Female Pin Terminal	1/8 inch; 16-18 gauge wire
	00128	Female Pin Terminal	1/8 inch; 10-14 gauge wire
11	56266	2 Circuit Plug	
12	00127	Male Pin Terminal	1/8 inch
13	58800	3 Circuit Connector	

# Terminals and Terminal Extractor Tools



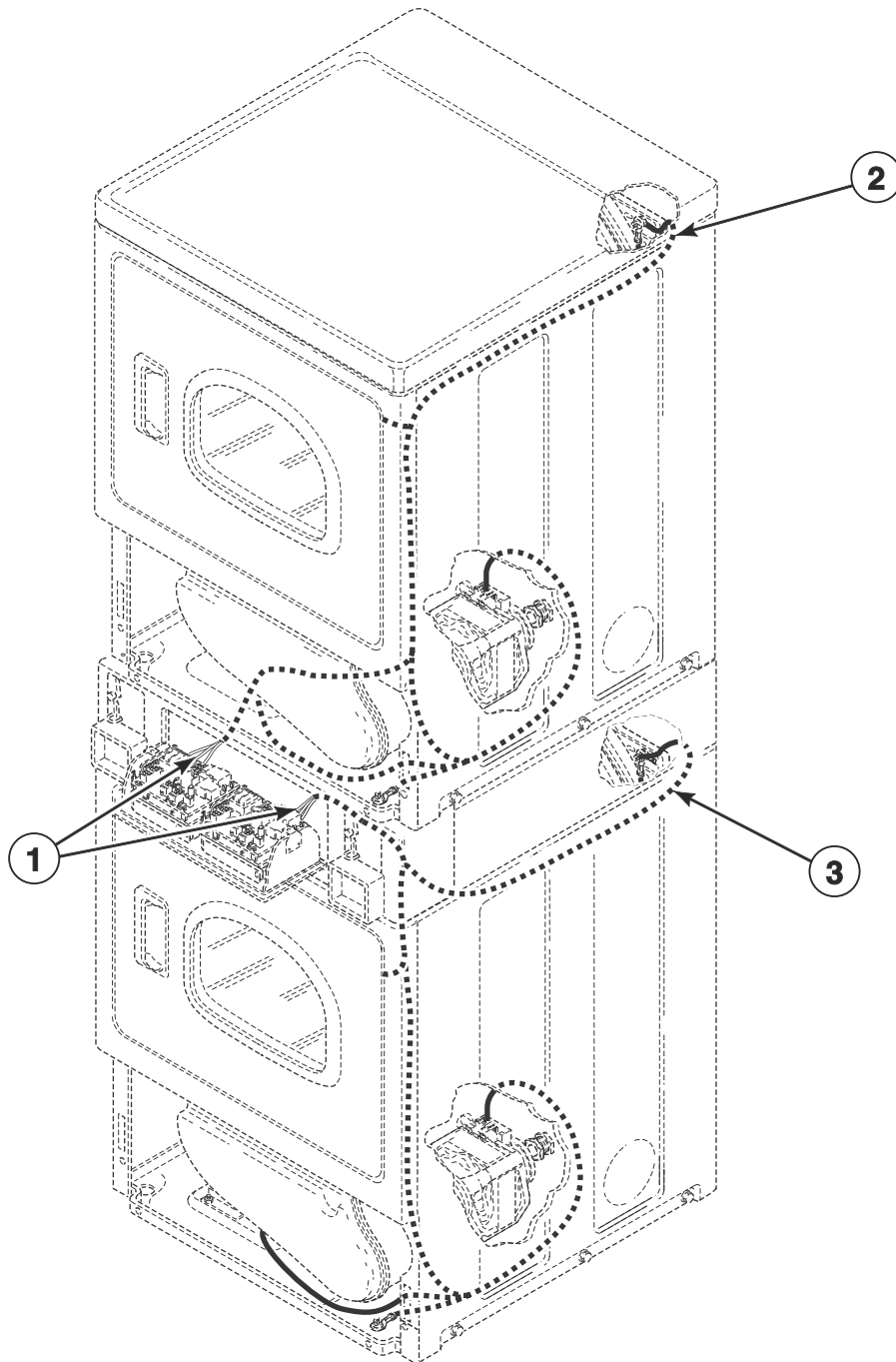
DRY2066P\_515207



## Terminals and Terminal Extractor Tools

REF	PART NO.	DESCRIPTION	COMMENTS
1	500338	10 Position Housing	
2	00255	Female Terminal	1/4 inch; (1) 12 gauge wire; Electric models
	00256	Female Terminal	1/4 inch; (1) or (2) 18 gauge wires
3	00188	Female Terminal	For 1 or 2 wire application
4	283P4	Terminal Extractor Tool	For use on Molex connectors
5	310P4	Ratchet Extension Tool	1/4 inch; For coin drop installation
6	190P4	Extractor Tool	For use on electric dryer terminals
7	128P4	Extractor Tool	For use on gas dryer terminals
8	281P4	Torx Bit	T15 Tamper Resistant Bit
	282P4	Torx Bit	Use with 62853 Screw on access panel; T25 Tamper Resistant Bit
	292P4	Torx Bit	T20 Standard Bit
	93501	Torx Drive Tool	T10 Standard Bit

# Wires and Wire Harnesses - Gas Models



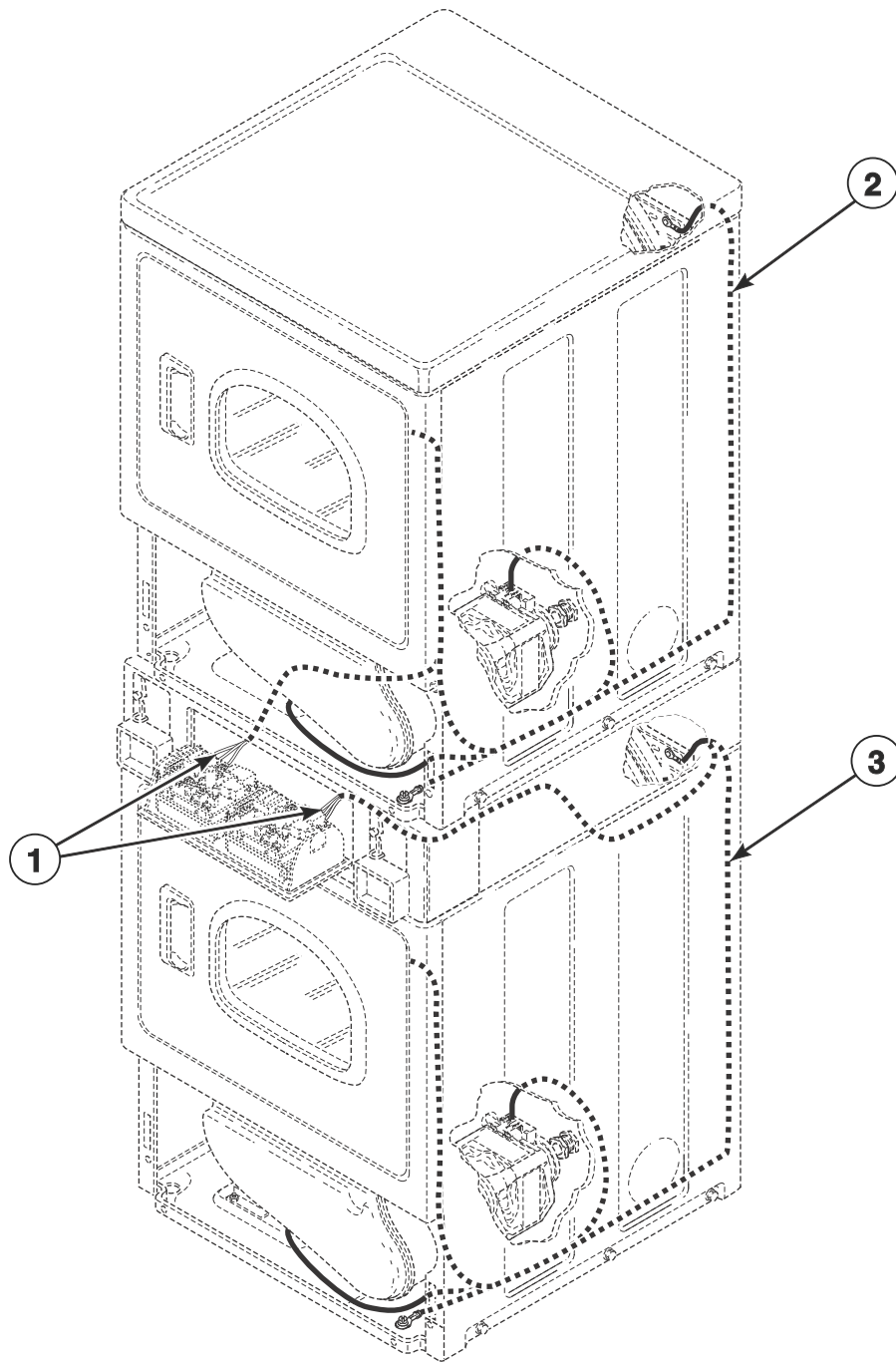
DRY2412P\_515207

## Wires and Wire Harnesses - Gas Models

REF	PART NO.	DESCRIPTION	COMMENTS
	45001	18 Gauge Wire	Black; Order wire by the foot; Order terminals and connectors as required
	45380	12 Gauge Wire	Orange; Order wire by the foot; Order terminals and connectors as required
1	513991	Security Cabinet Harness	
2	513967	Upper Gas Harness	
3	513969	Gas Harness	Lower

**NOTE: Individual wires are not available separately. Order complete harness, or order wire by the foot. When applying terminals to wires, it is recommended that the terminals be soldered to the wires.**

# Wires and Wire Harnesses - Electric Models



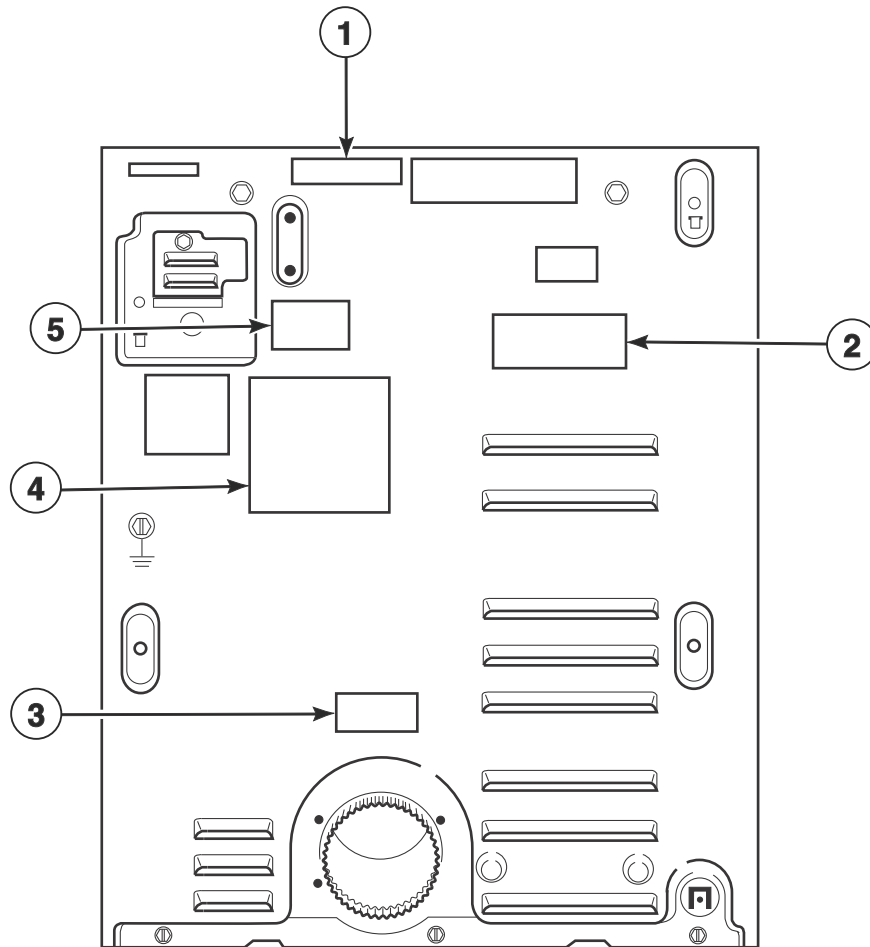
DRY2413P\_515207

## Wires and Wire Harnesses - Electric Models

REF	PART NO.	DESCRIPTION	COMMENTS
	45001	18 Gauge Wire	Black; Order wire by the foot; Order terminals and connectors as required
	45380	12 Gauge Wire	Orange; Order wire by the foot; Order terminals and connectors as required
1	513991	Security Cabinet Harness	
2	513968	Upper Electric Harness	
3	513970	Electric Harness	Lower

**NOTE: Individual wires are not available separately. Order complete harness, or order wire by the foot. When applying terminals to wires, it is recommended that the terminals be soldered to the wires.**

# Label Location on Rear of Cabinet



DRY2303P\_515207

## Label Location on Rear of Cabinet

REF	PART NO.	DESCRIPTION	COMMENTS
1	505281	Disconnect Power Warning Label	
2	502791	Venting Instruction Label	
3	500497	Exhaust Warning Label	
4	511004	Gas Clearance Label	Gas models
	511005	Electric Clearance Label	Electric models
5	803260	Warning Label	





# Parts Index

## A

Access Panel and Guard Assembly	
514252DG.....	15
514252W.....	15
514253.....	15
Access Panel Assembly	
514250WP.....	15
514251.....	15
Access Panel Plate	
510903.....	29
Acrylic Powder Paint	
42945DG.....	29
Adhesive	
511637P.....	19, 21
Air Duct Assembly	
510151LG.....	19
510151W.....	19
Anti-Seize Compound	
27604P.....	17

## B

Blower and Fan Kit	
510717P.....	17
Blower Fan Assembly	
510139P.....	17
Blower Housing	
511969LG.....	17
511969WP.....	17
Blower Housing Seal	
510238P.....	17
Bolt	
29651.....	7
Booster and Holding Coil	
58804A.....	27
Bumper Pad	
56128.....	29
Burner Assembly	
510149P.....	27

## C

Cabinet Rear Panel	
514632P.....	29
Cabinet Side Panel	
510001DGP.....	29
510001WP.....	29
510002DG.....	29
510002WP.....	29
Card Insert Overlay	
514391.....	9
Clip	
201572.....	7
Coin Drop	
38963P.....	7
70441601P.....	7

Coin Drop Assembly	
38462P.....	7
38463.....	7
Coin Drop Wire Harness	
201104.....	7
Coin Identification Paper	
38725.....	7
Combustion Duct	
510131.....	25
Connector, 2 Circuit	
58799.....	35
Connector, 3 Circuit	
58800.....	37
Control Assembly	
514138P.....	5
515442P.....	5
Control Overlay	
514366.....	5
515653.....	5
Control Panel	
803964B.....	7
803964DG.....	7
803964W.....	7
Control Panel and Bracket Assembly	
510076W.....	7
513778W.....	5
Cylinder Assembly	
510265LGP.....	19
510265WP.....	19
Cylinder Baffle	
510102LG.....	19
510102W.....	19
Cylinder Belt	
511255P.....	17
Cylinder Glide	
513710.....	19
Cylinder Glide Bracket	
510145.....	19
Cylinder Roller	
510708P.....	21
Cylinder Roller Bracket	
510100.....	21
Cylinder Seal Assembly	
510207P.....	19, 21

## D

Damper	
58786.....	29
Directional Exhaust Kit	
528P3.....	29
Disconnect Power Warning Label	
505281.....	45
Door and Liner Assembly	
511636WP.....	13
Door Catch Assembly	
510177.....	15
Door Handle Wedge	
510129.....	11, 13

N/A items do not appear in index.

Door Liner and Seal Assembly	
510289LG .....	11
Door Liner Grill	
503870LG .....	13
503870W .....	13
Door Pull	
512947 .....	11
Door Pull and Wedge Kit	
510103WP .....	11, 13
511213P .....	11
Door Strike	
510181 .....	11, 13
Door Strike Mount	
510127 .....	11, 13
Dryer Base	
514245 .....	29
Dryer Door	
510013DG .....	11
510013WP .....	11
510082WP .....	13
512969 .....	11
Dryer Door Assembly	
514114W .....	13
Dryer Door Window	
503982P .....	13
Dual Coin Harness Assembly	
202871 .....	7

## E

Elbow Shut-Off Valve	
510205 .....	27
Electric Clearance Label	
511005 .....	45
Electric Harness	
513970 .....	43
Electronic Coin Drop Kit	
CK095 .....	7
CK115 .....	7
Ethernet Gateway Kit	
NK320 .....	5
Exhaust Duct	
510137 .....	29
Exhaust Warning Label	
500497 .....	45
Expansion Clip	
70030501 .....	7, 9
Extractor Tool	
128P4 .....	39
190P4 .....	39

## F

Felt Pad	
510189 .....	19
Female Piggyback Terminal	
00361 .....	35
Female Pin Terminal	
00117 .....	37
00128 .....	37
00130 .....	37

Female Spade Terminal	
00114 .....	35
00115 .....	35
00121 .....	35
00124 .....	35
00189 .....	35
00223 .....	35
Female Tab Terminal	
00344 .....	35
Female Terminal	
00188 .....	39
00255 .....	39
00256 .....	39
Flexible Venting Kit	
521P3 .....	29
Front Bulkhead Assembly	
510266P .....	19
Front Panel	
510066DG .....	15
510066WP .....	15
512542 .....	15
Front Panel Assembly	
513781WP .....	15
Front Panel Seal	
511056 .....	15

## G

Gas Clearance Label	
511004 .....	45
Gas Harness	
513969 .....	41
Gas Valve Assembly	
60353P .....	27
Gas Valve Mounting Bracket	
510128 .....	27
Glass Door Window	
513910 .....	13
Glide Kit	
RB170003 .....	19
Grounding Clip	
00161 .....	35

## H

Harness Strap	
55881 .....	37
Heat Duct Shroud	
510101 .....	25
Heater	
510325P .....	23
Heater Assembly	
510329P .....	23
Heater Duct and Screw Assembly	
510025P .....	23, 25
Heater Kit	
964P3 .....	23
Heater Kit Assembly	
61928 .....	23
Hinge	
511036 .....	11, 13

N/A items do not appear in index.

Hinge Hole Plug 510186 .....	15
Hold Down Kit 526P3.....	29
Housing, 10 Position 500338 .....	39

---

## I

Idler Lever 510133 .....	17
Idler Lever and Wheel Assembly 510158 .....	17
Idler Spring 510185 .....	17
Idler Wheel and Bearing Assembly 510142P .....	17
Igniter and Bracket Assembly 510184P.....	27
Insulated Female Spade Terminal 00359 .....	35
00360 .....	37

---

## K

Key 54612 .....	5
--------------------	---

---

## L

Lead-In Cord 20277 .....	33
Lead-In Pipe Assembly 510204 .....	27
Leveling Leg 510135 .....	29
Limit Thermostat 510701 .....	23
510702 .....	25
Liner and Seal Assembly 510098LG .....	13
510098W.....	13
Liner Door Seal 510147P.....	11, 13
Liner, Seal and Grill Assembly 510163WP .....	11
513109P.....	11
Lint Filter 503980LG .....	19
503980W.....	19
Lock Cam 27261 .....	5
804338 .....	5
Lock Kit 27260P.....	5
L.P. Conversion Kit 458P3.....	27

---

## M

Machine ID Control Assembly 203361P .....	5
Male Pin Terminal 00116.....	37
00127 .....	37
Male Tab Terminal 00139 .....	35
Meter Case Assembly 804009W .....	7
Motor and Pulley Assembly 511629P .....	17
Motor Hub Ring Kit 590P3 .....	17
Motor Mount 510060 .....	17
Motor Mount Clamp 510180 .....	17
Motor Pulley 500011 .....	17
Mounting Tool Kit CK096 .....	7

---

## N

Network Controller Kit NK220 .....	5
Network Retrofit Kit 203328 .....	5
Nut 201216 .....	7
28447 .....	21
29786 .....	7
44071201 .....	13
44087201 .....	7
52566 .....	17
56156 .....	17, 21
N.G. Conversion Kit 459P3 .....	27

---

## O

Opto Coupler 200674P .....	7
Outlet Cover 500820 .....	23, 25
Output Control Assembly 513797P .....	29

---

## P

Panel Locator 56079 .....	15, 29
Plug 23040 .....	37
54522 .....	35
Plug, 1 Circuit 26302 .....	35

N/A items do not appear in index.

Plug, 2 Circuit	
56266 .....	37
56448 .....	37
Plug, 9 Circuit	
23033 .....	35
Porcelain Touch-Up Paint	
122P4P .....	29

## R

Ratchet Extension Tool	
310P4 .....	39
Rear Access Panel	
803998 .....	7, 9
Rear Bulkhead Assembly	
510041 .....	21
Receptacle Housing	
90789 .....	35
Receptacle, 1 Circuit	
26301 .....	35
Receptacle, 10 Circuit	
34596 .....	35
Receptacle, 12 Circuit	
501333 .....	35
56855 .....	35
Receptacle, 2 Circuit	
56451 .....	37
Receptacle, 3 Circuit	
23039 .....	37
Receptacle, 6 Circuit	
26708 .....	35
Retaining Ring	
23748 .....	17, 21
Ring Terminal	
00110 .....	35
Roller Kit	
RB170002 .....	21
Rubber Foot	
501855 .....	29

## S

ScREW	
804667 .....	29
Screw	
M405188 .....	19
20530 .....	33
23222 .....	23, 27
28448 .....	21
31260 .....	17
33562 .....	15
36048 .....	31
39733 .....	15, 29
500226 .....	11, 13
500824 .....	17
501285 .....	19, 21
501524 .....	5
502535 .....	17
503661 .....	31
503688 .....	5, 7, 9, 15, 17, 19, 21, 23, 25, 27, 29, 31
505870 .....	13
514428 .....	29
514461 .....	11, 13, 19

51782 .....	25, 27
56124 .....	27
61199 .....	21
62588 .....	19
62853 .....	15
70240301 .....	7, 9

Seal Kit	
RB170001 .....	19, 21
Secondary Coil	
58804B .....	27
Security Cabinet Front Assembly	
510072W .....	9
804147B .....	9
804147WP .....	9
Security Cabinet Harness	
513991 .....	41, 43
Sensor	
510213 .....	27
Shaft	
56461P .....	17, 21
Shield Bracket	
804018 .....	5
Single Coin Harness Assembly	
202870 .....	7
Single Overlay	
38717 .....	7
Spade Terminal	
00245 .....	35
Speed Clip	
28835 .....	15
Strain Relief	
38384 .....	33
Switch	
512973 .....	7, 15

## T

Terminal	
00252 .....	35
Terminal Block Assembly	
510190P .....	21
Terminal Block Shield	
510237 .....	21
Terminal Extractor Tool	
283P4 .....	39
Thermal Fuse Assembly	
511412 .....	23
Thermistor Assembly	
510523 .....	17
Top Hinge	
510136 .....	31
Top Kit	
510032WP .....	31
803144P .....	31
Top Panel	
510032DG .....	31
Torx Bit	
281P4 .....	39
282P4 .....	39
292P4 .....	39
Torx Drive Tool	
93501 .....	39

N/A items do not appear in index.

Transformer	
202757 .....	5
Transformer Harness	
514072 .....	5
804795 .....	5

---

## U

Upper Electric Harness	
513968 .....	43
Upper Gas Harness	
513967 .....	41
USB Gateway Kit	
NK330 .....	5
USB IR Interface Kit	
203346 .....	5

---

## V

Venting Instruction Label	
502791 .....	45

---

## W

Warning Label	
803260 .....	45
Warning/Caution Label	
500281 .....	15
Washer	
28449 .....	21
501307 .....	31
504082 .....	21
52549 .....	17, 21
Window Clip	
513958 .....	13
Window Trim	
503981W.....	13
513960W.....	13
Wire Assembly	
510527 .....	23
510528 .....	23
Wire Clip	
504034 .....	37
687500 .....	37
Wire Guard	
201595P.....	7
Wireless Network Kit	
203327 .....	5
Wire, 12 Gauge	
45380 .....	41, 43
Wire, 18 Gauge	
45001 .....	41, 43
Wiring Harness Assembly	
202868 .....	5
Wrapper and Channel Assembly	
505753WP .....	7, 9
Wrapper Assembly	
804104DG.....	7
804104W.....	7
804112B.....	9
804112W.....	9

N/A items do not appear in index.

